

USER MANUAL



1.0 TABLE OF CONTENTS

	Page
1.0 Table of contents	3
2.0 Important information	4 -5
3.0 Warranty & limitation of liability	6
4.0 User, clinician & dealer satisfaction	7
5.0 Guidelines with daily handling	
5.1 Required tools for securing components	8
6.0 AXILUS with FLEXUS	
6.1 Configurations	9
6.2 AXILUS standard anchor	10
6.3 AXILUS swing-away anchor	10
7.0 AXILUS with BACKUS & CURVUS	
7.1. Configurations	11
7.2 AXILUS standard anchor	12
7.3 AXILUS swing-away anchor	13
8.0 Care and maintenance of the cover & foam cushion	14



2.0 IMPORTANT INFORMATION



WARNING : The word 'WARNING' indicates a potentially hazardous situation which, if not avoided, could result in death or serious injury.



Positech innovation Inc. accepts no liability for personal injury or damage to property that may arise from the failure to follow the recommendations, warnings, and instructions in this **User Manual**.



DEALERS / CLINICIAN :

The **User Manual** must be given to the consumer of any of Positech innovation Inc. products.

Before discharging the user with our products, review the entire **User Manual** with the user/caregiver. The **User Manual** must be saved by the user for future reference as it contains additional safety information related to the safe operation of all our products.

All persons responsible for fitting, adjustment, and daily use of the devices discussed in the **User Manual** must be familiar with and understand all safety aspects of the devices mentioned. In order for our products to be used successfully, you, Dealer & Clinician, must :

- Read and understand all instructions and warnings. If you are unable to understand these guidelines, contact Positech innovation Inc. for further instructions.
- Install our products according to our instructions on installation, care and maintenance.
- Devices should be installed and adjusted **ONLY** by a trained qualified technician or clinician.
- Failure to adhere to instructions and warnings in this document may result in property damage, injury, or death.
- Product misuse due to failure of the following instructions will void the warranty.

Inform the User :

- To **NEVER** modify the set adjustments made by you, Dealer & Clinician.
- To immediately discontinue use if any function is compromised, parts are missing, loose, or shows signs of excessive wear.

Consult with Positech innovation Inc. for repair, adjustment, or replacement.

A faulty usage of this product could worsen the user's condition instead of improving it.

Usage of this product for therapeutic purposes such as posture correction and support must be conducted in collaboration with a trained clinician.



DEALER/CLINICIAN :

Check all parts for shipping damages before using. In case of damage, do **NOT** use the equipment. Contact Positech innovation Inc. for further instructions.

Monthly verifications are necessary to ensure that :

- Components are fastened securely.
- Adjustments remain adapted to the patient's condition evolution.
- Under the supervision of the clinician, further adjustments may be necessary in the event of a weight gain or loss, or an improvement or a worsening of the posture.



The **User Manual** is compiled from the latest specifications and product information available at the time of publication. We reserve the right to make changes as they become necessary. Any changes to our products may cause slight variations between the illustrations and explanations in this manual and the product you have purchased. Information contained within this document is subject to change without notice.



You can download additional copies of this **Installation & Care Manual & User Manual** on the Positech innovation Inc. website.



USER/CAREGIVER :

Your expert clinician has customised the installation of AXILUS to your condition and specific needs. Even though the access to all screws, bolt, nuts, etc. is not **PHYSICALLY RESTRICTED**, Positech innovation **STRONGLY** recommend that you and/or caregiver **DO NOT MODIFY ANY OF THE ORIGINAL ADJUSTMENTS MADE BY YOUR PROFESSIONAL CLINICIAN**, otherwise injury or damage may occur. If you feel discomfort, please contact your qualified clinician to discuss your concerns. If your condition changes with time, please visit your qualified clinician for new adjustment settings.

Positech innovation products are specifically designed and manufactured for use in conjunction with Positech innovation accessories. Accessories designed by other manufacturers have not been tested by Positech innovation and are not recommended for use with Positech innovation products.

Before using AXILUS, the clinician should teach you and/or the caregiver why & how the required support of the head is obtained, how to manipulate the headrest system, its proper adjustments & the safety rules. Not receiving the proper training may result into discomfort or severe injury.

Before each use of AXILUS, ensure that AXILUS is fully functional by conducting a thorough check of all hardware components and fasteners. If loose, secure the components to the initial torque settings while **RESPECTING THE ORIGINAL INSTALLATION CONFIGURATIONS**. In addition, verify that all hardware components and the headrest foam cushion do not show substantial deterioration. If this verification process is not done correctly, a risk of equipment breakdown, damage to components and/or user injury could occur.

The selected shape of the AXILUS foam cushion should not create pressure to the ears, eyes, throat, neck, jawbone, occipital/temporal areas.

All accessories or replacement parts not provided by Positech innovation may not be used in conjunction with our AXILUS headrest system as it may affect negatively its performance, cause safety issue and void the warranty.

AXILUS should not be used at all times to push, pull and lift the wheelchair as it may result into excessive wear and impact of the user safety.

FLEXUS, BACKUS, STOPUS, AXILUS & SUMMUS comply to :

RESNA WC-4:2012 Section 20 : Seating Systems for Use in Motor Vehicles.

ISO 16840-4 Wheelchair Seating – PART 4: Seating Systems for Use in Motor Vehicles.

3.0 WARRANTY & LIMITATION OF LIABILITY

Metallic components of products purchased from Positech are warranted against defects in workmanship and material for a period of two (2) years from the date of delivery of the product to the first consumer.

Textile components of products purchased from Positech are warranted against defects in workmanship and material for a period of ninety (90) days from the date of delivery of the product to the first consumer.

Non-metallic and non-textile components of products purchased from Positech are warranted against defects in workmanship and material for a period of one (1) year from the date of delivery of the product to the first consumer.

Positech's obligations under this warranty are limited to replacing (transportation costs at the Dealer's expense) or repairing, at its option, any products which under normal and proper use and maintenance are proved to be defective to Positech, in its sole discretion, within the warranty period, provided that Positech has had the opportunity to inspect them.

This warranty is not transferable and only applies to the first consumer purchase through an authorized Positech dealer.

This warranty does not cover products or parts thereof which (i) normally wear out due to the general wear and tear of standard use, (ii) are modified, altered, inadequately stored or kept, or (iii) are not installed, adjusted, used or maintained in accordance with Positech's instructions. In addition to the foregoing, this warranty does not cover punctures, tears, or burns, exposure to moisture, exceeding the weight limit and <acts of nature> (ex. Flood, Earthquake, Tornado, etc.). Any substitutions of supplied hardware also void the warranty.

THE FOREGOING IS POSITECH'S SOLE WARRANTY, ALL OTHER WARRANTIES, EXPRESSED OR IMPLIED, INCLUDING WARRANTIES OF FITNESS FOR PURPOSE AND MERCHANTABILITY, ARE EXCLUDED AND DISCLAIMED TO THE FULL EXTENT PERMITTED BY LAW. IN NO EVENT SHALL THE DEALER BE ENTITLED TO MORE THAN THE PRICE OF THE PURCHASED PRODUCTS AT THAT TIME AS FINAL PENALTY AND DAMAGE. IN NO EVENT, WHETHER AS A RESULT OF CONTRACT, TORT, STRICT LIABILITY OR OTHERWISE, SHALL POSITECH BE LIABLE FOR SPECIAL, INCIDENTAL, CONSEQUENTIAL OR PUNITIVE DAMAGES, INCLUDING BUT NOT LIMITED TO, LOSS OF USE, PROFIT OR REVENUE.

The Dealer understands and agrees that the Positech's products may be dangerous and result in injury, worsening of the condition or damage to property if not used properly. Consequently, the Dealer shall inform the user that he/she must (i) comply with all specifications, instructions and other requirements provided by Positech with the products, on Positech's website, in manuals, data sheets, on labels or packaging, and the terms & conditions uniting parties before making use of the products, and (ii) use the products under the supervision of a therapist in the case of severe deformities or when used for therapeutic purposes.

The Dealer shall hold harmless, indemnify and defend Positech from and against any and all claims, demands, causes of action, suits or judgments (including costs, expenses and reasonable attorney fees incurred in connection therewith) for the injury to any person or for loss of or damage to property arising out of or in connection with the improper use of the products whether or not caused by Dealer's negligence and for any default hereunder.

The Dealer may have additional rights by law which may vary from one jurisdiction to another. Positech does not hereby intend to limit or exclude the rights of the Dealer beyond the limits allowed by law.

This warranty applies in CANADA only.

WARRANTY SERVICE

To obtain service under this warranty, the warranty-eligible Product must be presented to the nearest Positech innovation Inc. authorized dealer. In Canada, warranty service may also be obtained by calling (877)964 3232, Monday through Friday 8h00 to 17h00 Eastern Standard Time. Owner is responsible for all costs associated with returning Product to Positech innovation Inc. for service. Where at its sole discretion Positech innovation Inc. deems Product eligible for warranty repair or replacement, Positech innovation Inc. will pay the shipping and handling associated with returning repaired or replaced Product to Owner. In instances where Positech innovation Inc. deems a returned product ineligible for warranty service, Positech innovation Inc. will, if possible, repair product for a reasonable charge that includes return shipping and handling.

4.0 USER, CLINICAN & DEALER SATISFACTION

You sit well with us.

Positech innovation Inc. strives for 100% customer satisfaction.

Your complete satisfaction is important to us.

Please contact us with feedback or suggestions that will enhance the quality and functionality of these products.

We can be reached at :

Mail	100-1566 Rue Nationale, Terrebonne, Québec, Canada, J6W 0E2
Email	commande@positech.ca
Website	www.positechinnovation.com
Phone	(1) 450 964 3232
Toll Free	(1) 877 964 3232
Fax	(1) 450 964 3378
Customer Service Hours	Monday through Friday – 8h00 to 17h00 Eastern Standard Time (EST)

FOR YOUR RECORD

INSTALLATION DATE		CLINIC/HEALTHCARE CENTRE/PRACTICE	
USER INFORMATION NAME: EMAIL/PHONE: FILE #:		DEALER STAMP	
		SERIAL NUMBER (if applicable)	

5.0 GUIDELINES WITH DAILY HANDLING



DO NOT MODIFY ANY OF THE ORIGINAL ADJUSTMENTS MADE BY YOUR PROFESSIONAL CLINICIAN, otherwise injury or damage may occur.

YOU MAY WITH EXTREME CAUTION SECURE ANY SCREWS, BOLTS, NUTS THAT HAVE BECOME LOOSE USING THE INITIAL TORQUE SETTINGS.

CONTACT THE DEALER/CLINICIAN IF YOU HAVE ANY QUESTIONS OR CONCERNS.

5.1 REQUIRED TOOLS FOR SECURING COMPONENTS

- Allen key 1/8 in



- Allen key 5/32 in.



- Allen key 3/16 in.



- Wrench 3/8 in.



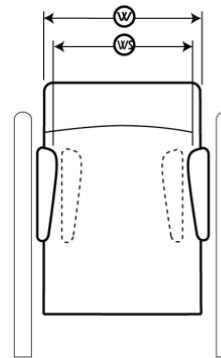
- Robertson screwdriver



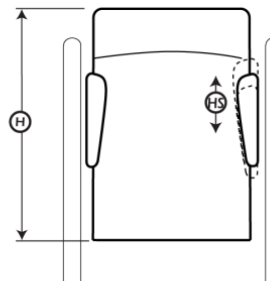
6.0 AXILUS with FLEXUS

6.1 CONFIGURATIONS

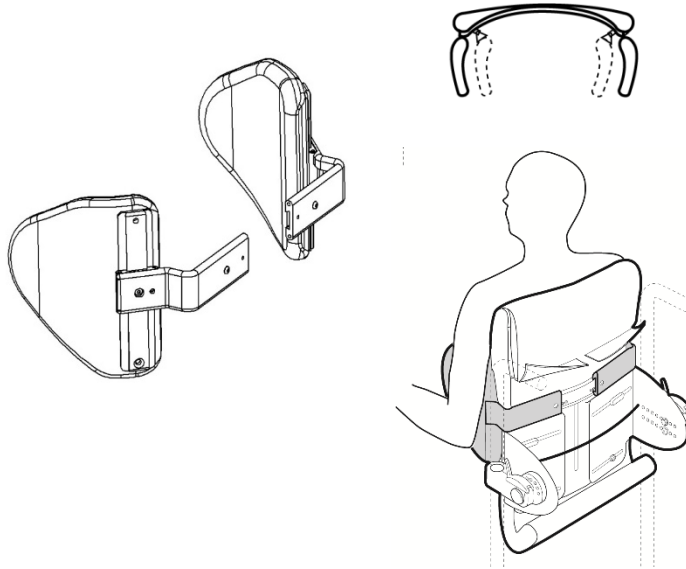
- WS** **Width Adjustment Between Lateral Thoracic Support Cushions**
 Adult: 9½ to 15½ inches 241 to 395mm
 Child: 6½ to 11 inches 165 to 279mm



- HS** **Height Adjustment of Lateral Thoracic Support Cushions**
 -4½ to +4½ inches -114 to +114 mm
 Varies with selected models



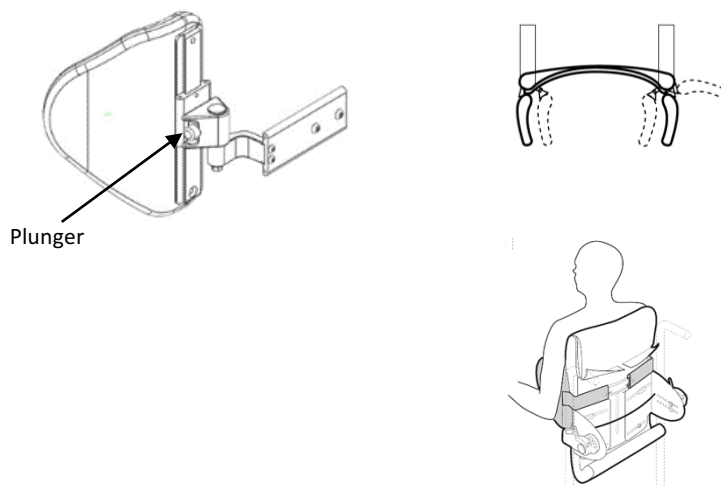
6.2 AXILUS STANDARD ANCHOR



AXILUS thoracic bracket is inserted over the inner extrusion of FLEXUS.

All adjustments in width & height defined by the clinician **SHOULD NOT BE MODIFIED WITHOUT THE APPROVAL.**

6.3 AXILUS SWING-AWAY ANCHOR



SPECIAL CONSIDERATION :
AXILUS thoracic bracket is inserted over the inner extrusion of FLEXUS.

All adjustments in width & height defined by the clinician **SHOULD NOT BE MODIFIED WITHOUT THE APPROVAL.**

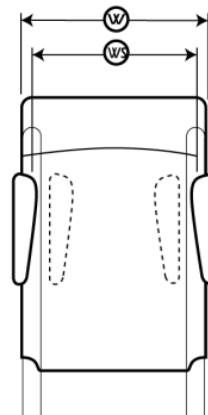
By pressing the plunger, the rotation of the cushion toward the outside of the wheelchair is possible.

7.0 AXILUS with BACKUS & CURVUS

7.1 CONFIGURATIONS

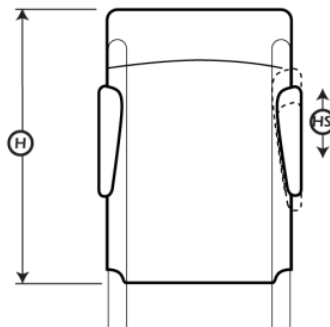
WS **Width Adjustment Between Lateral Thoracic Support Cushions**

0 to -3 inches 0 to -76 mm
*Both thoracic supports are adjustable
 3 inches toward the inside*

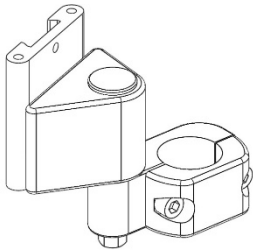


HS **Height Adjustment of Lateral Thoracic Support Cushions**

Varies with selected models.
 Additional height adjustment can be done when attaching the anchors to the backcanes.



7.2 AXILUS STANDARD ANCHOR

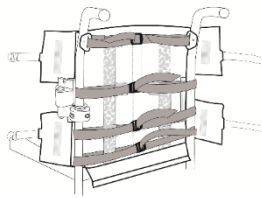


AXILUS thoracic bracket is secured onto the back cane.

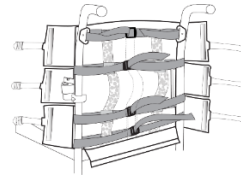
All adjustments in width & height defined by the clinician **SHOULD NOT BE MODIFIED WITHOUT THE APPROVAL.**

NOTES : THE UPHOLSTERED CUSHION OF BACKUS HAS 4 FLAPS AND CURVUS HAS 6 FLAPS.

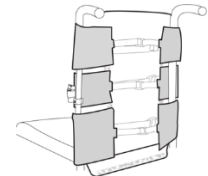
THE MIDDLE FLAPS OF THE CURVUS MUST BE INSERTED BEHIND THE CANES. DO NOT TIGHTEN THE STRAPS TO LEAVE ENOUGH SPACE TO ACCOMMODATE THE KYPHOSIS.



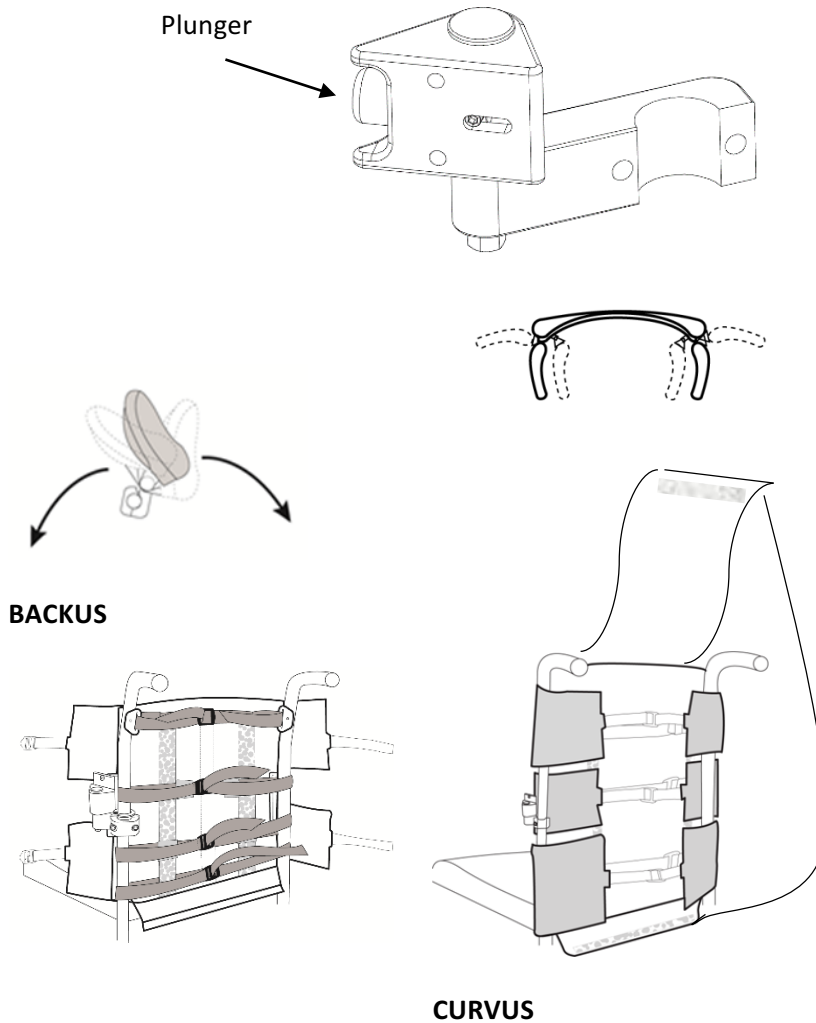
BACKUS



CURVUS



7.3 AXILUS SWING-AWAY ANCHOR



AXILUS thoracic bracket is secured onto the back cane.

All adjustments in width & height defined by the clinician **SHOULD NOT BE MODIFIED WITHOUT THE APPROVAL.**

By pressing the plunger, the rotation of the cushion toward the outside of the wheelchair is possible.

8.0 CARE AND MAINTENANCE OF THE COVER & FOAM CUSHION

SPECIAL CONSIDERATION :

THESE CARE INSTRUCTIONS ARE VALIDE FOR ALL SHAPES OF AXILUS AS ALL THE COVERS ARE IDENTICAL, REGARDLESS IF USED WITH FLEXUS, BACKUS OR CURVUS BACKRESTS



WARNING :

DO NOT IMMERSE THE ENTIRE LATERAL SUPPORT AXILUS

Remove gently the cover.

Hand wash in cold water with a mild detergent.

Dry flat.

Ensure that both sides are completely dry.



WARNING :

DO NOT MACHINE DRY

DO NOT SUN DRY

DO NOT STEAM AUTOCLAVE.

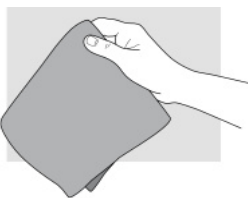
DO NOT DRY CLEAN.

DO NOT USE BLEACH.

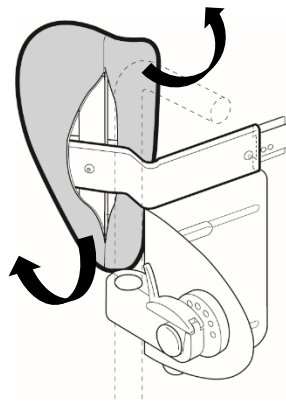
DO NOT FABRIC SOFTENER.

Wipe the inner injectable foam with a damp cloth. A mild soap may be used.

Dry thoroughly with a dry cloth.
Reassemble once all components are fully dry.



Inner foam





CORPORATE HEADQUARTERS

100-1566 Rue Nationale,
Terrebonne, Québec, Canada,
J6W 0E2

TEL: 1 450-964-6262

1 877-964-3232

FAX: 1 450-964-3378

www.positechinnovation.com
commande@positech.ca