

USER MANUAL



1.0 TABLE OF CONTENTS

| | Page |
|---|--------------|
| 1.0 Table of Contents | 2 |
| 2.0 Important Considerations | 3 - 4 |
| 3.0 Warranty & Limitation of Liability | 5 |
| 4.0 User, Clinician & Dealer Satisfaction | 6 |
| 5.0 Guidelines with Daily Handling | |
| 5.1 Required Tools for Securing Components | 7 |
| 5.2 FLEXUS Structure Components | 8 |
| 6.0 Care and Maintenance | |
| 6.1 Removal of Upholstered Backrest Cushion | 9 |
| 6.2 Upholstered Cover Care Instructions | 10 |
| 6.3 Installation of Upholstered Backrest Cushion | 11 |



2.0 IMPORTANT INFORMATION



WARNING : The word 'WARNING' indicates a potentially hazardous situation which, if not avoided, could result in death or serious injury.



Positech innovation Inc. accepts no liability for personal injury or damage to property that may arise from the failure to follow the recommendations, warnings, and instructions in this **User Manual**.



DEALERS / CLINICIAN :

The **User Manual** must be given to the consumer of any of Positech innovation Inc. products.

Before discharging the user with our products, review the entire **User Manual** with the user/caregiver. The **User Manual** must be saved by the user for future reference as it contains additional safety information related to the safe operation of all our products.

All persons responsible for fitting, adjustment, and daily use of the devices discussed in the **User Manual** must be familiar with and understand all safety aspects of the devices mentioned. In order for our products to be used successfully, you, Dealer & Clinician, must :

- Read and understand all instructions and warnings. If you are unable to understand these guidelines, contact Positech innovation Inc. for further instructions.
- Install our products according to our instructions on installation, care and maintenance.
- Devices should be installed and adjusted **ONLY** by a trained qualified technician or clinician.
- Failure to adhere to instructions and warnings in this document may result in property damage, injury, or death.
- Product misuse due to failure of the following instructions will void the warranty.

Inform the User :

- To **NEVER** modify the set adjustments made by you, Dealer & Clinician.
- To immediately discontinue use if any function is compromised, parts are missing, loose, or shows signs of excessive wear.

Consult with Positech innovation Inc. for repair, adjustment, or replacement.

A faulty usage of this product could worsen the user's condition instead of improving it. Usage of this product for therapeutic purposes such as posture correction and support must be conducted in collaboration with a trained clinician.



DEALER/CLINICIAN :

Check all parts for shipping damages before using. In case of damage, do NOT use the equipment. Contact Positech innovation Inc. for further instructions.

Monthly verifications are necessary to ensure that :

- Components are fastened securely.
- Adjustments remain adapted to the patient's condition evolution.
- Under the supervision of the clinician, further adjustments may be necessary in the event of a weight gain or loss, or an improvement or a worsening of the posture.



The **User Manual** is compiled from the latest specifications and product information available at the time of publication. We reserve the right to make changes as they become necessary. Any changes to our products may cause slight variations between the illustrations and explanations in this manual and the product you have purchased. Information contained within this document is subject to change without notice.



You can download additional copies of this **Installation & Care Manual & User Manual** on the Positech innovation Inc. website.



USER/CAREGIVER :

Your expert clinician has customised the installation of FLEXUS to your condition and specific needs. Even though the access to all screws, bolt, nuts, etc. is not **PHYSICALLY RESTRICTED**, Positech innovation **STRONGLY** recommend that you and/or caregiver **DO NOT MODIFY ANY OF THE ORIGINAL ADJUSTMENTS MADE BY YOUR PROFESSIONAL CLINICIAN**, otherwise injury or damage may occur. If you feel discomfort, please contact your qualified clinician to discuss your concerns. If your condition changes with time, please visit your qualified clinician for new adjustment settings.

Positech innovation products are specifically designed and manufactured for use in conjunction with Positech innovation accessories. Accessories designed by other manufacturers have not been tested by Positech innovation and are not recommended for use with Positech innovation products.

Before using FLEXUS, the clinician should teach you and/or the caregiver why & how the required support of the back obtained, how to manipulate the backrest system, its proper adjustments & the safety rules. Not receiving the proper training may result into discomfort or severe injury.

Before each use of FLEXUS, ensure that FLEXUS is fully functional by conducting a thorough check of all hardware components and fasteners. If loose, secure the components to the initial torque settings while **RESPECTING THE ORIGINAL INSTALLATION CONFIGURATIONS**. In addition, verify that all hardware components and the backrest upholstered cushion do not show substantial deterioration. If this verification process is not done correctly, a risk of equipment breakdown, damage to components and/or user injury could occur.

All accessories or replacement parts not provided by Positech innovation may not be used in conjunction with our FLEXUS backrest system as it may affect negatively its performance, cause safety issue and void the warranty.

FLEXUS, BACKUS, STOPUS, AXILUS & FLEXUS comply to :

- **RESNA WC-4:2012 Section 20 : Seating Systems for Use in Motor Vehicles.**
- **ISO 16840-4 Wheelchair Seating – PART 4: Seating Systems for Use in Motor Vehicles.**

3.0 WARRANTY & LIMITATION OF LIABILITY

Metallic components of products purchased from Positech are warranted against defects in workmanship and material for a period of two (2) years from the date of delivery of the product to the first consumer.

Textile components of products purchased from Positech are warranted against defects in workmanship and material for a period of ninety (90) days from the date of delivery of the product to the first consumer.

Non-metallic and non-textile components of products purchased from Positech are warranted against defects in workmanship and material for a period of one (1) year from the date of delivery of the product to the first consumer.

Positech's obligations under this warranty are limited to replacing (transportation costs at the Dealer's expense) or repairing, at its option, any products which under normal and proper use and maintenance are proved to be defective to Positech, in its sole discretion, within the warranty period, provided that Positech has had the opportunity to inspect them.

This warranty is not transferable and only applies to the first consumer purchase through an authorized Positech dealer.

This warranty does not cover products or parts thereof which (i) normally wear out due to the general wear and tear of standard use, (ii) are modified, altered, inadequately stored or kept, or (iii) are not installed, adjusted, used or maintained in accordance with Positech's instructions. In addition to the foregoing, this warranty does not cover punctures, tears, or burns, exposure to moisture, exceeding the weight limit and <acts of nature> (ex. Flood, Earthquake, Tornado, etc.). Any substitutions of supplied hardware also void the warranty.

THE FOREGOING IS POSITECH'S SOLE WARRANTY, ALL OTHER WARRANTIES, EXPRESSED OR IMPLIED, INCLUDING WARRANTIES OF FITNESS FOR PURPOSE AND MERCHANTABILITY, ARE EXCLUDED AND DISCLAIMED TO THE FULL EXTENT PERMITTED BY LAW. IN NO EVENT SHALL THE DEALER BE ENTITLED TO MORE THAN THE PRICE OF THE PURCHASED PRODUCTS AT THAT TIME AS FINAL PENALTY AND DAMAGE. IN NO EVENT, WHETHER AS A RESULT OF CONTRACT, TORT, STRICT LIABILITY OR OTHERWISE, SHALL POSITECH BE LIABLE FOR SPECIAL, INCIDENTAL, CONSEQUENTIAL OR PUNITIVE DAMAGES, INCLUDING BUT NOT LIMITED TO, LOSS OF USE, PROFIT OR REVENUE.

The Dealer understands and agrees that the Positech's products may be dangerous and result in injury, worsening of the condition or damage to property if not used properly. Consequently, the Dealer shall inform the user that he/she must (i) comply with all specifications, instructions and other requirements provided by Positech with the products, on Positech's website, in manuals, data sheets, on labels or packaging, and the terms & conditions uniting parties before making use of the products, and (ii) use the products under the supervision of a therapist in the case of severe deformities or when used for therapeutic purposes.

The Dealer shall hold harmless, indemnify and defend Positech from and against any and all claims, demands, causes of action, suits or judgments (including costs, expenses and reasonable attorney fees incurred in connection therewith) for the injury to any person or for loss of or damage to property arising out of or in connection with the improper use of the products whether or not caused by Dealer's negligence and for any default hereunder.

The Dealer may have additional rights by law which may vary from one jurisdiction to another. Positech does not hereby intend to limit or exclude the rights of the Dealer beyond the limits allowed by law.

This warranty applies in CANADA only.

WARRANTY SERVICE

To obtain service under this warranty, the warranty-eligible Product must be presented to the nearest Positech innovation Inc. authorized dealer. In Canada, warranty service may also be obtained by calling (877)964 3232, Monday through Friday 8h00 to 17h00 Eastern Standard Time. Owner is responsible for all costs associated with returning Product to Positech innovation Inc. for service. Where at its sole discretion Positech innovation Inc. deems Product eligible for warranty repair or replacement, Positech innovation Inc. will pay the shipping and handling associated with returning repaired or replaced Product to Owner. In instances where Positech innovation Inc. deems a returned product ineligible for warranty service, Positech innovation Inc. will, if possible, repair product for a reasonable charge that includes return shipping and handling.

4.0 USER, CLINICAN & DEALER SATISFACTION

You sit well with us.

Positech innovation Inc. strives for 100% customer satisfaction.

Your complete satisfaction is important to us.

Please contact us with feedback or suggestions that will enhance the quality and functionality of these products.

We can be reached at :

| | |
|-------------------------------|--|
| Mail | 100-1566 Rue Nationale, Terrebonne, Québec, Canada, J6W 0E2 |
| Email | commande@positech.ca |
| Website | www.positechinnovation.com |
| Phone | (1) 450 964 3232 |
| Toll Free | (1) 877 964 3232 |
| Fax | (1) 450 964 3378 |
| Customer Service Hours | Monday through Friday – 8h00 to 17h00 Eastern Standard Time (EST) |

FOR YOUR RECORD

| | | | |
|--|--|--|--|
| INSTALLATION DATE | | CLINIC/HEALTHCARE CENTRE/PRACTICE | |
| USER INFORMATION NAME: EMAIL/PHONE: FILE #: | | DEALER STAMP | |
| | | SERIAL NUMBER (if applicable) | |

5.0 GUIDELINES WITH DAILY HANDLING



DO NOT MODIFY ANY OF THE ORIGINAL ADJUSTMENTS MADE BY YOUR PROFESSIONAL CLINICIAN, otherwise injury or damage may occur.

YOU MAY WITH CAUTION SECURE ANY SCREWS, BOLTS, NUTS THAT HAVE BECOME LOOSE USING THE INITIAL TORQUE SETTINGS.

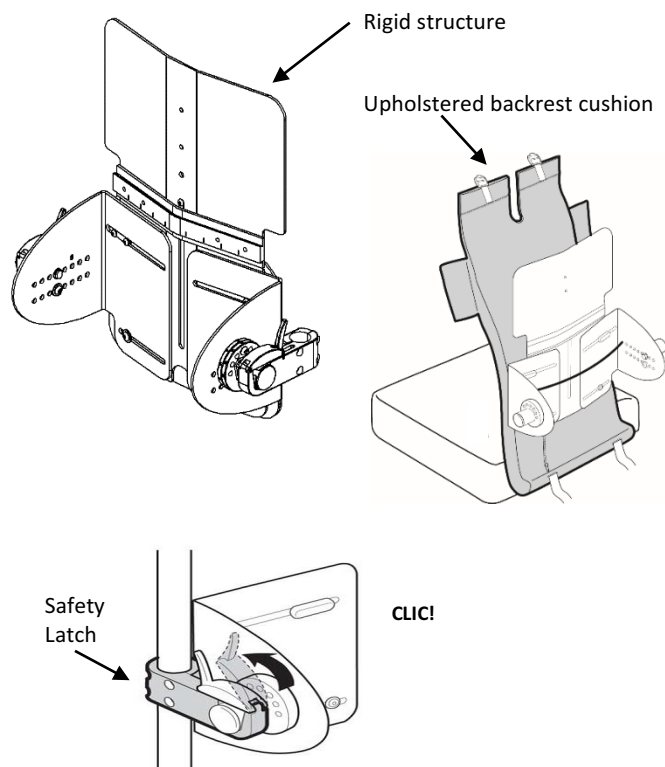
CONTACT THE DEALER/CLINICIAN IF YOU HAVE ANY QUESTIONS OR CONCERNS.

5.1 REQUIRED TOOLS for SECURING COMPONENTS

- Allen key 1/8 in.
- Allen key 5/32 in.
- Allen key 3/16 in.
- Wrench 3/8 in.
- Wrench 7/16 in.
- Robertson screwdriver



5.2 FLEXUS STRUCTURE COMPONENTS



FLEXUS is made of a fully adjustable rigid structure (hardware) covered by an upholstered backrest cushion.



WARNING :
AT ANY TIME, DO NOT MODIFY THE PRESCRIBED ADJUSTMENTS OF YOUR CLINICIAN MADE AT THE INSTALLATION.

If you need to remove the entire backrest from the wheelchair, **THE USER SHOULD NOT BE SITTING IN THE WHEELCHAIR.**

Open the safety latches located on each side of the wheelchair and pull up and out the **COMPLETE** system.

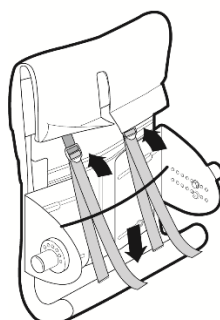
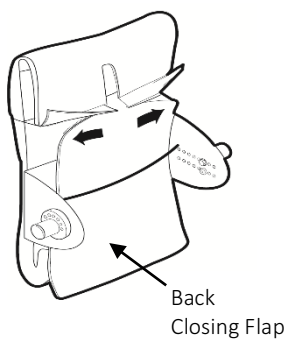
| ALL CONFIGURATIONS | | |
|---------------------------|---|---|
| | ADULT | CHILD |
| WIDTH (wheelchair) | 14 – 20 in. 355 – 510 mm | 11 – 14 in. 279 – 356 mm |
| HEIGHT (backrest) | 18 – 26 in. 457 – 660 mm | 15 – 18 in. 381 – 457 mm |
| POSITION | from (-)1 ½ to (+)2 in. from (-)38 to (+)51 mm | from (-)2 to (+)1 in. from (-)51 to (+)25 mm |
| ANGLE | (-)15° to (+)15° 5° increments | (-)15° to (+)15° 5° increments |

6.0 CARE AND MAINTENANCE

6.1 REMOVAL OF UPHOLSTERED BACKREST CUSHION

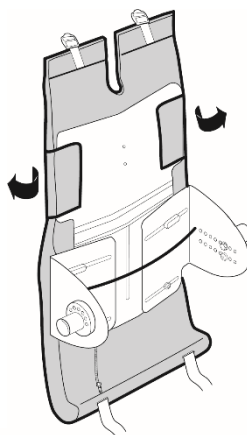
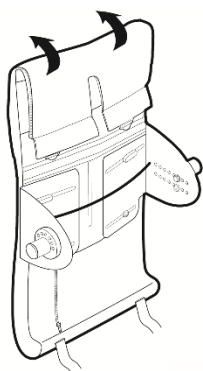


While accomplishing the following task, the patient ***should not be sitting*** on the wheelchair.



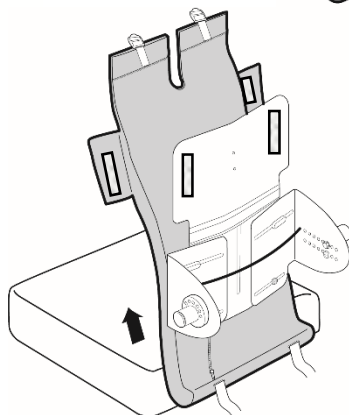
Unzip the 2 small zippers of the back-closing flap.

Untie completely both straps holding the upholstered backrest in place.



Lift the top flap to access the lateral fabric flaps located on either side of the backrest top.

Pull on the lateral fabric flaps to free them from the Velcro closure.



Gentle extract from the TOP of the wheelchair the entire upholstered backrest.

6.2 UPHOLSTERED COVER CARE INSTRUCTIONS



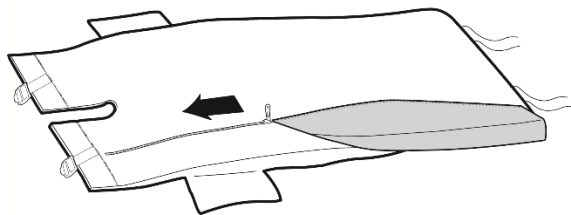
WARNING :

DO NOT IMMERSE THE COMPLETE UPHOLSTERED BACKREST.



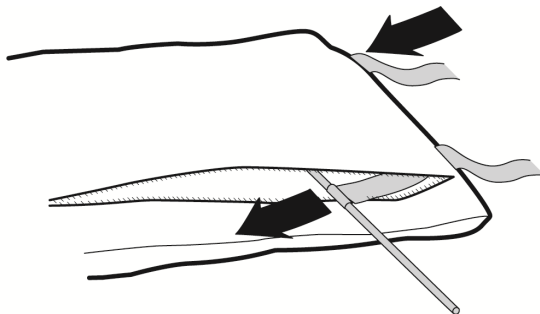
WARNING :

**DO NOT MACHINE DRY.
DO NOT STEAM AUTOCLAVE.
DO NOT DRY CLEAN.
DO NOT USE BLEACH.
DO NOT USE FABRIC SOFTENER.**



Unzip the whole length of the cover.

Remove gently the foam insert.



Remove the metal rod and the straps.

**SPECIAL CONSIDERATION:
Store foam, metal rod and straps in a SAFE place.**

Hand wash in cold water with a mild detergent.

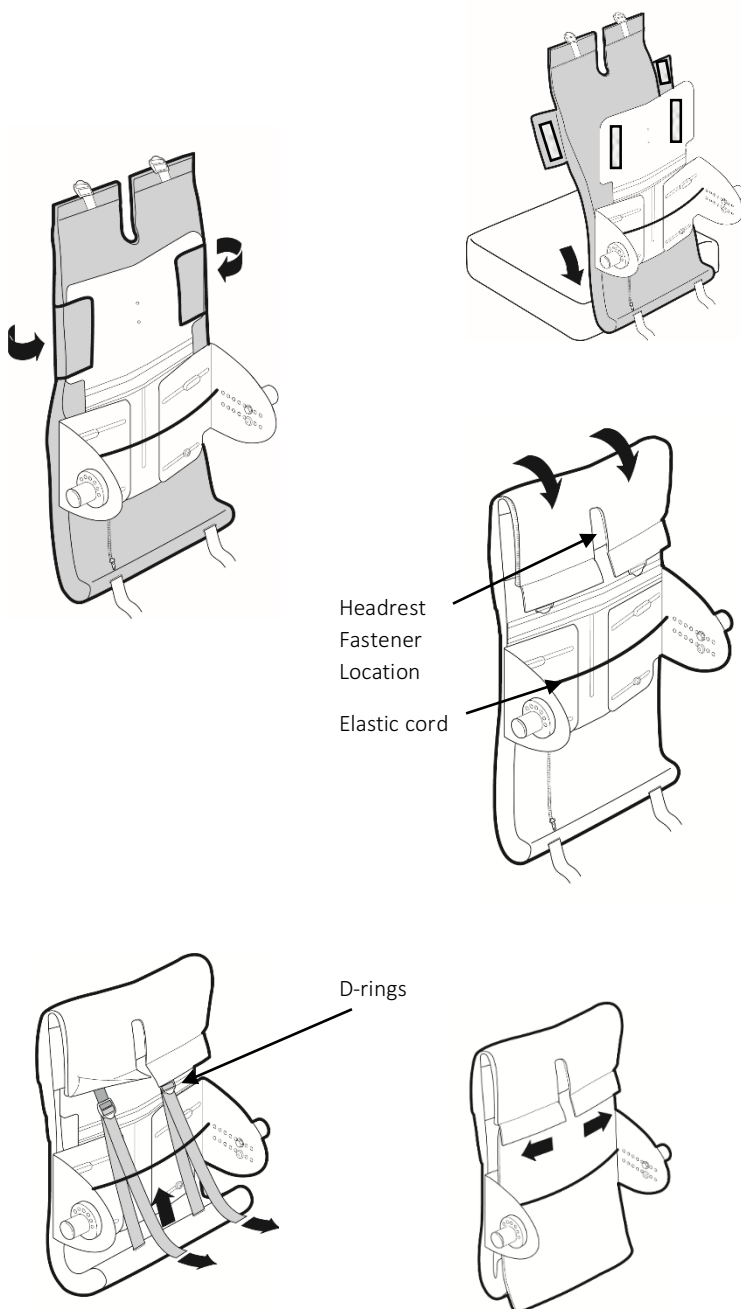
Dry flat.

Ensure that both sides are completely dry, then reassemble.

6.3 INSTALLATION OF UPHOLSTERED BACKREST CUSHION



While accomplishing the following task the patient should not be sitting on the wheelchair.



Before installing the upholstered backrest cushion, conduct a thorough check of all fasteners and secure any loose components following the required torque settings. IF YOU ARE UNCERTAIN ABOUT THE SAFETY, CONTACT IMMEDIATELY YOUR CLINICIAN / DEALER FOR ASSISTANCE.

Insert the lower part of the upholstered backrest cushion in between the lower edge of the structure and the seat cushion.

Bring the lateral flaps onto the Velcro patches of the structure and secure.

Align the top flap opening with the headrest fastener location.

Slip end of straps under the elastic cord and insert in their respective D-ring.

Tighten the straps.

Zip the 2 small zippers of the back-closing flap into place and slide under the elastic cord.



CORPORATE HEADQUARTERS

100-1566 Rue Nationale,
Terrebonne, Québec, Canada,
J6W 0E2

TEL: 1 450-964-6262

1 877-964-3232

FAX: 1 450-964-3378

www.positechinnovation.com
commande@positech.ca