

# INSTALLATION & CARE MANUAL



## 1.0 TABLE OF CONTENTS

	<b>Page</b>
<b>1.0</b> Table of contents	<b>2</b>
<b>2.0</b> Important considerations	<b>3</b>
<b>3.0</b> User, clinician & dealer satisfaction	<b>4</b>
<b>4.0</b> Warranty & limitation of liability	<b>5</b>
<b>5.0</b> Tools for installation & care	<b>6</b>
<b>6.0</b> Standard anchor AXILUS with FLEXUS	
6.1 Standard anchor / Mechanical base components	<b>6</b>
6.2 Standard anchor / Installation and adjustment	<b>7-8</b>
<b>7.0</b> Swing-away anchor AXILUS with FLEXUS	
7.1. Swing-away anchor / Mechanical base components	<b>9</b>
7.2 Swing-away anchor / Installation & adjustment	<b>10-11</b>
<b>8.0</b> Standard anchor AXILUS with BACKUS & CURVUS	
8.1 Standard anchor / Mechanical base components	<b>12</b>
8.2 Standard anchor / Installation & adjustment	<b>13-14</b>
<b>9.0</b> Swing-away anchor AXILUS with BACKUS & CURVUS	
9.1 Swing-away anchor / Mechanical base components	<b>15</b>
9.2 Swing-away anchor / Installation & adjustment	<b>16-17</b>
<b>10.0</b> Care and maintenance of the cover & foam cushion	<b>18</b>



## 2.0 IMPORTANT CONSIDERATIONS



Positech innovation Inc. accepts no liability for personal injury or damage to property that may arise from the failure to follow the recommendations, warnings, and instructions in this **Installation & Care Manual**.

**DEALERS / CLINICIAN :**

The respective product **User Manual** must be given to the consumer of any of Positech innovation Inc. products.

Before discharging the user with this product, review the entire **User Manual** with the user/caregiver. The **User Manual** must be saved by the user for future reference as it contains additional safety information related to the safe operation of all our products.

All persons responsible for fitting, adjustment, and daily use of the devices discussed in the **Instruction & Care Manual** must be familiar with and understand all safety aspects of the devices mentioned. In order for our products to be used successfully, you, Dealer & Clinician, must :

- Read and understand all instructions and warnings. If you are unable to understand these guidelines, contact Positech innovation Inc. for further instructions.
- Maintain our products according to our instructions on care and maintenance.
- Devices should be installed and adjusted **ONLY** by a trained qualified technician or clinician.
- Failure to adhere to instructions and warnings in this document may result in property damage, injury, or death.
- Product misuse due to failure of the following instructions will void the warranty.

Inform the User :

- To **NEVER** modify the set adjustments made you, Dealer & Clinician.
- To immediately discontinue use if any function is compromised, parts are missing, loose, or shows signs of excessive wear.

Consult with Positech innovation Inc. for repair, adjustment, or replacement.

A faulty usage of this product could worsen the user’s condition instead of improving it.

Usage of this product for therapeutic purposes such as posture correction and support must be conducted in collaboration with a trained clinician.



**DEALER/CLINICIAN :**

Check all parts for shipping damages before using. In case of damage, do **NOT** use the equipment. Contact Positech innovation Inc. for further instructions.

Monthly verifications are necessary to ensure that :

- Components are fastened securely.
- Adjustments remain adapted to the patient’s condition evolution.
- Under the supervision of the clinician, further adjustments may be necessary in the event of a weight gain or loss, or an improvement or a worsening of the posture.



This **Installation & Care Manual** is compiled from the latest specifications and product information available at the time of publication. We reserve the right to make changes as they become necessary. Any changes to our products may cause slight variations between the illustrations and explanations in this manual and the product you have purchased. Information contained within this document is subject to change without notice.



You can download additional copies of this **Installation & Care Manual & User Manual** on the Positech innovation Inc. website.

**FLEXUS, BACKUS, STOPUS, AXILUS & SUMMUS comply to :**

- **RESNA WC-4:2012 Section 20 : Seating Systems for Use in Motor Vehicles.**
- **ISO 16840-4 Wheelchair Seating – PART 4: Seating Systems for Use in Motor Vehicles.**

## 3.0 USER, CLINICIAN & DEALER SATISFACTION

# You sit well with us.

Positech innovation Inc. strives for 100% customer satisfaction.

Your complete satisfaction is important to us.

Please contact us with feedback or suggestions that will enhance the quality and functionality of these products.

We can be reached at :

<b>Mail</b>	<b>100-1566 Rue Nationale, Terrebonne, Québec, Canada, J6W 0E2</b>
<b>Email</b>	<b>commande@positech.ca</b>
<b>Website</b>	<b>www.positechinnovation.com</b>
<b>Phone</b>	<b>(1) 450 964 3232</b>
<b>Toll Free</b>	<b>(1) 877 964 3232</b>
<b>Fax</b>	<b>(1) 450 964 3378</b>
<b>Customer Service Hours</b>	<b>Monday through Friday – 8h00 to 17h00 Eastern Standard Time ( EST )</b>

### FOR YOUR RECORD

<b>INSTALLATION DATE</b>		<b>CLINIC/HEALTHCARE CENTRE/PRACTICE</b>	
<b>USER INFORMATION</b>  <b>NAME:</b>  <b>EMAIL/PHONE:</b>  <b>FILE #:</b>		<b>DEALER STAMP</b>	
		<b>SERIAL NUMBER (if applicable)</b>	

## 4.0 WARRANTY & LIMITATION OF LIABILITY

Metallic components of products purchased from Positech are warranted against defects in workmanship and material for a period of two (2) years from the date of delivery of the product to the first consumer.

Textile components of products purchased from Positech are warranted against defects in workmanship and material for a period of ninety (90) days from the date of delivery of the product to the first consumer.

Non-metallic and non-textile components of products purchased from Positech are warranted against defects in workmanship and material for a period of one (1) year from the date of delivery of the product to the first consumer.

Positech's obligations under this warranty are limited to replacing (transportation costs at the Dealer's expense) or repairing, at its option, any products which under normal and proper use and maintenance are proved to be defective to Positech, in its sole discretion, within the warranty period, provided that Positech has had the opportunity to inspect them.

This warranty is not transferable and only applies to the first consumer purchase through an authorized Positech dealer.

This warranty does not cover products or parts thereof which (i) normally wear out due to the general wear and tear of standard use, (ii) are modified, altered, inadequately stored or kept, or (iii) are not installed, adjusted, used or maintained in accordance with Positech's instructions. In addition to the foregoing, this warranty does not cover punctures, tears, or burns, exposure to moisture, exceeding the weight limit and <acts of nature> ( ex. Flood, Earthquake, Tornado, etc. ). Any substitutions of supplied hardware also void the warranty.

THE FOREGOING IS POSITECH'S SOLE WARRANTY, ALL OTHER WARRANTIES, EXPRESSED OR IMPLIED, INCLUDING WARRANTIES OF FITNESS FOR PURPOSE AND MERCHANTABILITY, ARE EXCLUDED AND DISCLAIMED TO THE FULL EXTENT PERMITTED BY LAW. IN NO EVENT SHALL THE DEALER BE ENTITLED TO MORE THAN THE PRICE OF THE PURCHASED PRODUCTS AT THAT TIME AS FINAL PENALTY AND DAMAGE. IN NO EVENT, WHETHER AS A RESULT OF CONTRACT, TORT, STRICT LIABILITY OR OTHERWISE, SHALL POSITECH BE LIABLE FOR SPECIAL, INCIDENTAL, CONSEQUENTIAL OR PUNITIVE DAMAGES, INCLUDING BUT NOT LIMITED TO, LOSS OF USE, PROFIT OR REVENUE.

The Dealer understands and agrees that the Positech's products may be dangerous and result in injury, worsening of the condition or damage to property if not used properly. Consequently, the Dealer shall inform the user that he/she must (i) comply with all specifications, instructions and other requirements provided by Positech with the products, on Positech's website, in manuals, data sheets, on labels or packaging, and the terms & conditions uniting parties before making use of the products, and (ii) use the products under the supervision of a therapist in the case of severe deformities or when used for therapeutic purposes.

The Dealer shall hold harmless, indemnify and defend Positech from and against any and all claims, demands, causes of action, suits or judgments (including costs, expenses and reasonable attorney fees incurred in connection therewith) for the injury to any person or for loss of or damage to property arising out of or in connection with the improper use of the products whether or not caused by Dealer's negligence and for any default hereunder.







The Dealer may have additional rights by law which may vary from one jurisdiction to another. Positech does not hereby intend to limit or exclude the rights of the Dealer beyond the limits allowed by law.

This warranty applies in CANADA only.

### WARRANTY SERVICE

To obtain service under this warranty, the warranty-eligible Product must be presented to the nearest Positech innovation Inc. authorized dealer. In Canada, warranty service may also be obtained by calling (877)964 3232, Monday through Friday 8h00 to 17h00 Eastern Standard Time. Owner is responsible for all costs associated with returning Product to Positech innovation Inc. for service. Where at its sole discretion Positech innovation Inc. deems Product eligible for warranty repair or replacement, Positech innovation Inc. will pay the shipping and handling associated with returning repaired or replaced Product to Owner. In instances where Positech innovation Inc. deems a returned product ineligible for warranty service, Positech innovation Inc. will, if possible, repair product for a reasonable charge that includes return shipping and handling.

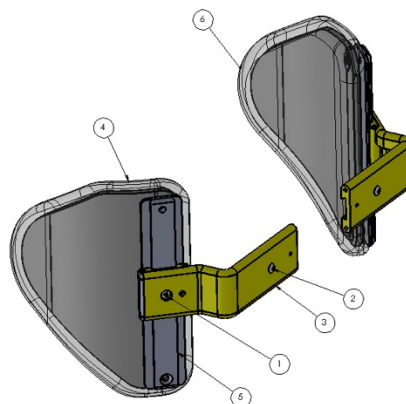
## 5.0 TOOLS FOR INSTALLATION, ADJUSTMENT AND CARE

- Allen key 1/8 in. 
- Allen key 5/32 in. 
- Allen key 3/16 in. 
- Wrench 3/8 in. 
- Robertson screwdriver 
- Measuring tape 


## 6.0 STANDARD ANCHOR AXILUS on FLEXUS

### 6.1 STANDARD ANCHOR / MECHANICAL BASE COMPONENTS

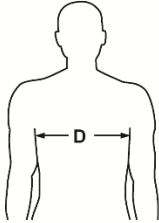
ITEM NO.	PART NUMBER	DESCRIPTION	QTY.
1		BUTTON HEAD SCREW 10-32 X 3/8	2
2		BUTTON HEAD SCREW 1/4-20 X 1/4	2
3	002-157	THORACIC BRACKET	2
4		LEFT SUPPORT	1
5	002-159	THORACIC EXTRUSION	2
6		RIGHT SUPPORT	1



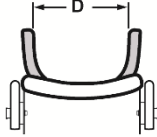
## 6.2 STANDARD ANCHOR / INSTALLATION AND ADJUSTMENT



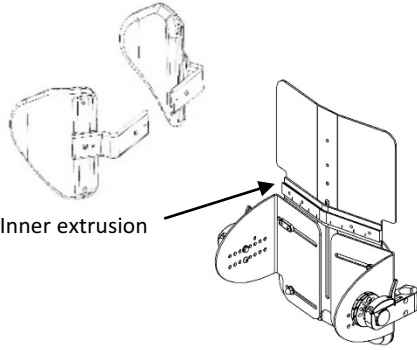
### Width Pre-Adjustment



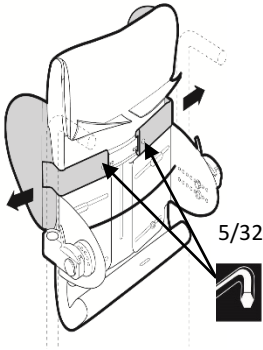
Measure the distance between the user's armpits to determine the distance required between the interior of the lateral cushions. (D)



**D**  Distance Between Lateral Cushions



Inner extrusion



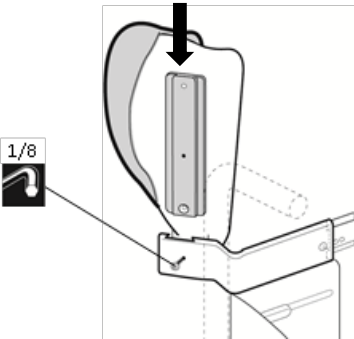
5/32

Tighten temporarily

Insert the thoracic bracket by sliding it over the inner extrusion of FLEXUS.

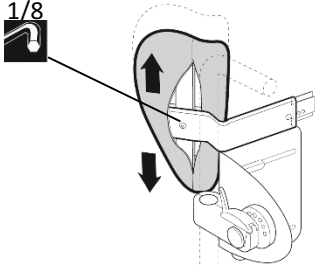
Repeat on the other side.

Tighten temporarily both button head screws to the pre-adjustment width measurement.



Thoracic extrusion

1/8



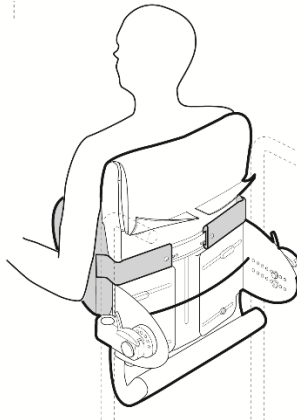
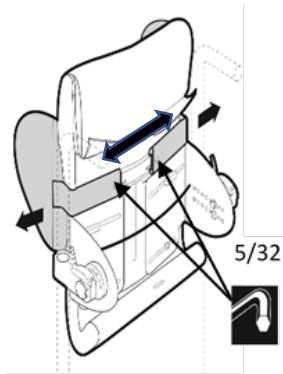
1/8

Tighten temporarily

Insert by sliding in vertically the thoracic extrusion of the selected AXILUS cushion into the lateral portion of the thoracic bracket.

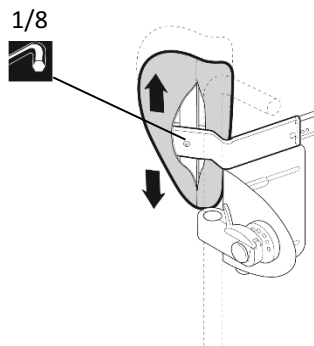
Tighten temporarily the button head screw to allow final height adjustment when the user is seated. Repeat on the other side.

**NOTE :** Both AXILUS DO NOT HAVE to be positioned at the same height & width



Sit user to adjust both AXILUS as needed.

Adjust the width using the button head screws situated on the horizontal portion of the thoracic bracket.

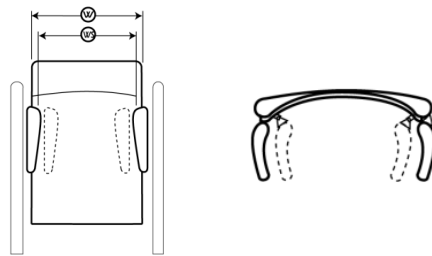


Adjust vertically the height of the cushions using the button head screw on the lateral portion of the thoracic brackets.

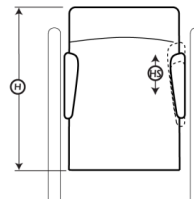
Tighten **all** screws.

**NOTES :** BOTH AXILUS USED CAN BE OF DIFFERENT PROFILES AND ADJUSTED INDEPENDANTLY IN HEIGHT AND WIDTH.

**(WS)** Width Adjustment Between Lateral Thoracic Support Cushions  
Adult: 9¼ to 15½ inches 241 to 395mm  
Child: 6¼ to 11 inches 165 to 279mm



**(HS)** Height Adjustment of Lateral Thoracic Support Cushions  
-4¼ to +4½ inches -114 to +114 mm  
Varies with selected models

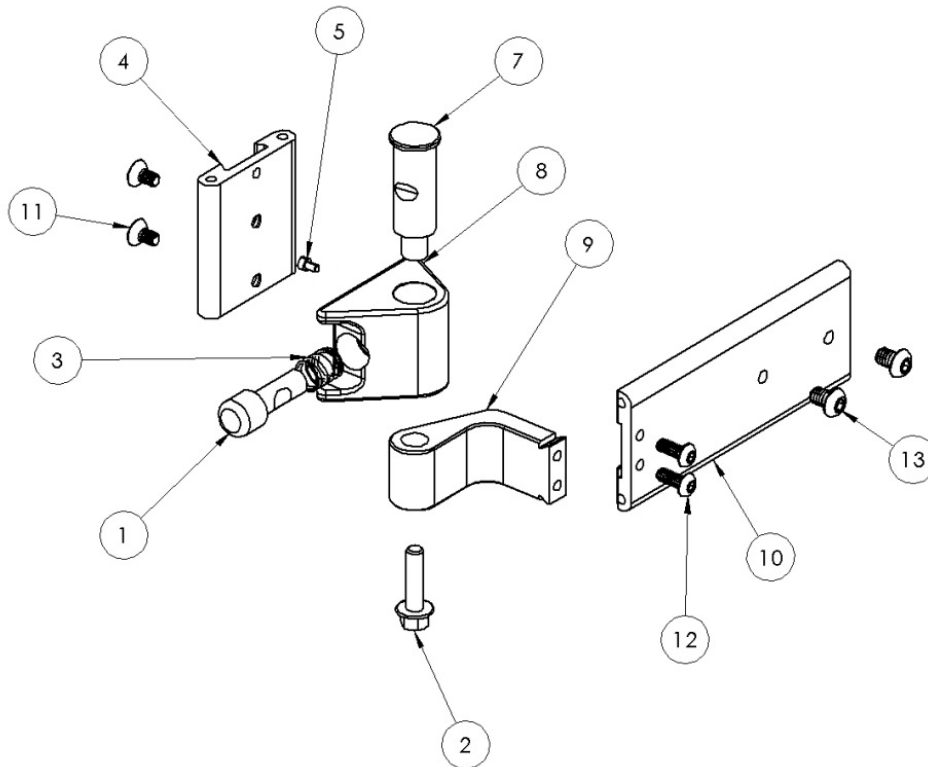





## 7.0 SWING-AWAY ANCHOR AXILUS with FLEXUS

### 7.1 SWING-AWAY ANCHOR / MECHANICAL BASE COMPONENTS

ITEM NO.	PART NUMBER	DESCRIPTION	QTY.
1	006-014	PLUNGER	1
2		HEX SCREW 1/4-20 X 1	1
3		SPRING	1
4	006-009	EXTERNAL EXTRUSION	1
5		CAP HEAD SCREW #4-40 X 3/16	1
7	006-015	PIVOT	1
8	006-016	STOPPER SUPPORT - right & left	1
9	002-157B	PIVOT	1
10	002-149B	EXTRUSION	1
11		FLAT HEAD SCREW 10-32 X 3/8	2
12		BUTTON HEAD SCREW 10-32 X 1/2	1
13		BUTTON HEAD 1/4-20 X 3/8	1

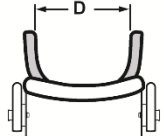


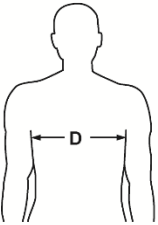
## 7.2 SWING-AWAY ANCHOR / INSTALLATION & ADJUSTMENT



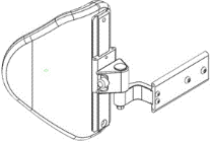
### Width Pre-Adjustment

Measure the distance between the user's armpits to determine the distance required between the interior of the lateral cushions. (D)

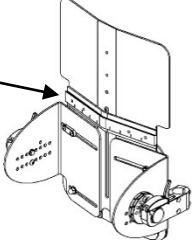


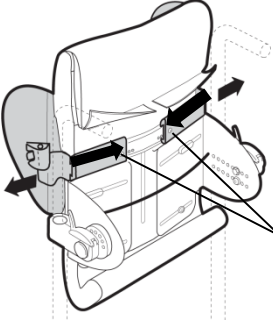


D  Distance Between Lateral Cushions



Inner extrusion



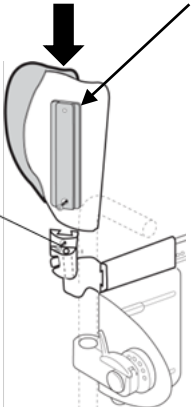


Tighten temporarily

Insert the thoracic bracket by sliding it over the inner extrusion of FLEXUS.

Repeat on the other side.

Tighten temporarily both button head screws to the pre-adjustment width measurement.



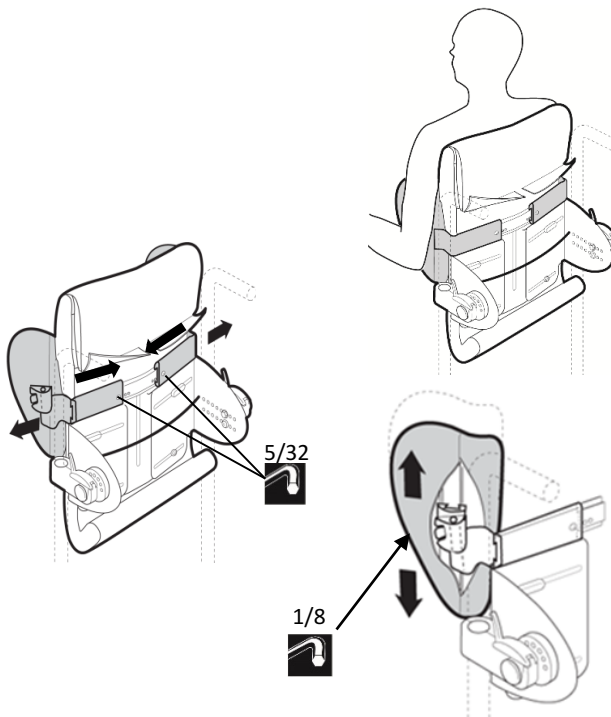
Thoracic extrusion

Tighten temporarily

Insert by sliding in vertically the thoracic extrusion of the selected AXILUS cushion into the external extrusion of the anchor. Repeat on the other side.

Tighten temporarily the button head screws to allow final height adjustment when the user is seated.

**NOTE :** Both AXILUS DO NOT HAVE to be positioned at the same height & width.



Sit user on the wheelchair to adjust AXILUS as needed.

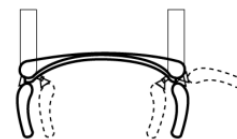
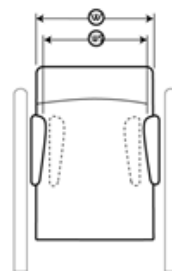
Adjust the width using the button head screws situated on the thoracic brackets.

Adjust vertically the height of the cushions using the button screw on that anchors. Check that the swing-away movement is free of obstruction.

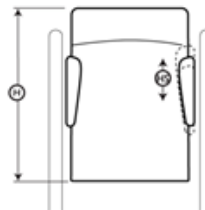
Tighten **ALL** screws

**NOTES :** BOTH AXILUS USED CAN BE OF DIFFERENT PROFILES AND ADJUSTED INDEPENDANTLY IN HEIGHT AND WIDTH.

**(W)** Width Adjustment Between Lateral Thoracic Support Cushions  
 Adult: 9½ to 15½ inches 241 to 395mm  
 Child: 6½ to 11 inches 165 to 279mm



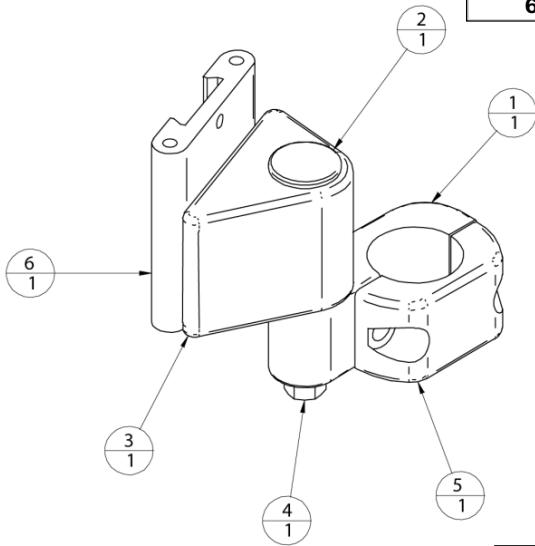
**(H)** Height Adjustment of Lateral Thoracic Support Cushions  
 -4½ to +4½ inches -114 to +114 mm  
 Varies with selected models



## 8.0 STANDARD ANCHOR AXILUS with BACKUS & CURVUS

### 8.1 STANDARD ANCHOR / MECHANICAL BASE COMPONENTS

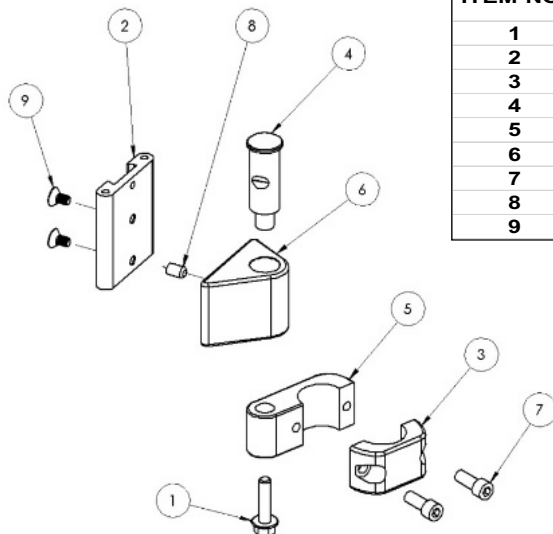
ITEM NO.	PART NUMBER	DESCRIPTION	QTY.
1	006-017	CANE SUPPORT	2
2	006-015	PIVOT	1
3	006-018	SUPPORT - right & left	1
4		HEX SCREW 1/4-20 X 1	1
5	006-001	CANE BUSHING	1
6	006-009	EXTERNAL EXTRUSION	1



Adaptors



3/4  $\phi$  - 7/8  $\phi$

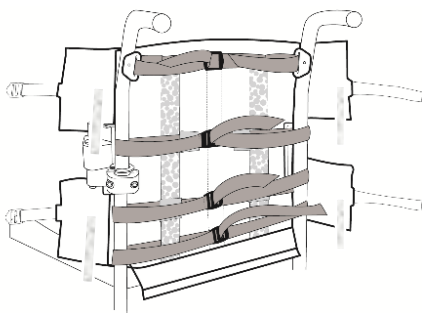


ITEM NO.	PART NUMBER	DESCRIPTION	QTY.
1		HEX SCREW 1/4-20 X 1	1
2	006-009	EXTERNAL EXTRUSION	1
3	006-001	CANE BUSHING	1
4	006-015	PIVOT	1
5	006-017	CANE SUPPORT	1
6	006-018	SUPPORT - right & left	1
7		CAP HEAD SCREW 1/4-20 X 3/4	2
8		SETSCREW 1/4-20 X 1/2	1
9		FLAT HEAD SCREW 10-32 X 3/8	2

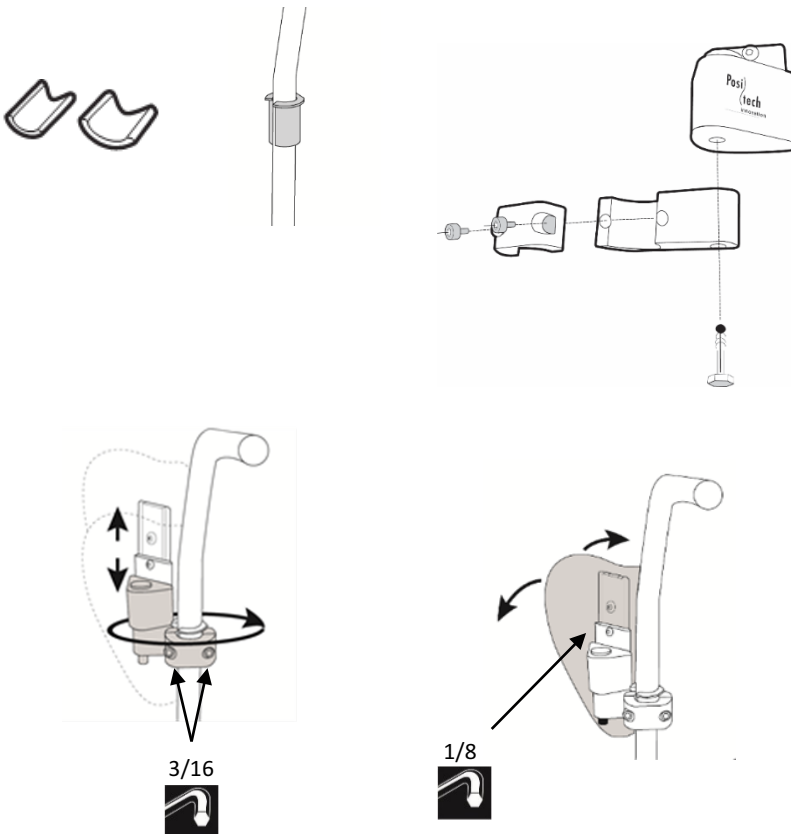
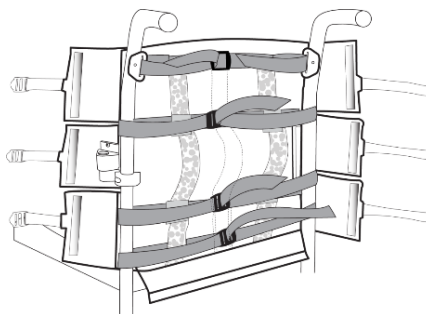
## 8.2 STANDARD ANCHOR / INSTALLATION & ADJUSTMENT

**NOTES :** BACKUS HAS 4 FLAPS AND CURVUS HAS 6 FLAPS. THE MIDDLE FLAPS OF THE CURVUS MUST BE INSERTED BEHIND THE CANES. DO NOT TIGHTEN THE STRAPS TO LEAVE ENOUGH SPACE TO ACCOMMODATE THE KYPHOSIS.

**BACKUS**



**CURVUS**



To ease the installation of the anchors, untie and open the upholstered flaps to free up the access to the back cane.

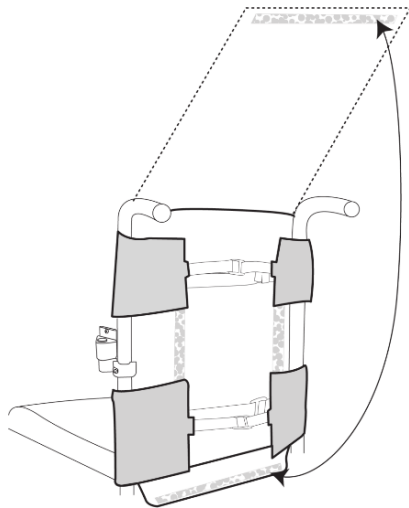
If the diameter of the back cane is smaller than 1" (2.5 cm), use the provided adaptor (3/4" or 7/8") to add to the existing diameter.

Install both anchors (right and left) on their respective back cane and tighten sufficiently to maintain in place to the desired height.

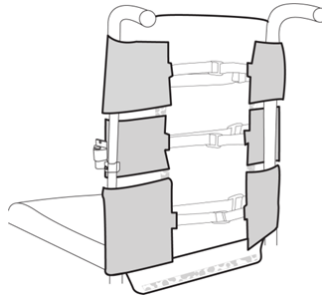
**DO NOT TOUCH THE HEX SCREW.**

Insert vertically the cushion onto the anchor. Adjust to the desired height and secure with the cap head screws.

**BACKUS**



**CURVUS**



If desired, you may rotate the anchor to provide a different alignment of AXILUS.

Finalize the installation of the upholstered backrest cushion by securing its Velcro onto the Velcro strips of the structure.

Validate that all straps are well fastened.

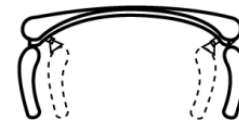
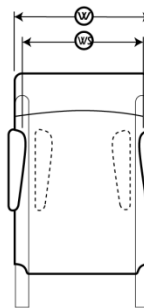
Once the user is seated, validate the height and angle of AXILUS. Modify as needed using the various screws.

**NOTE :** Both AXILUS DO NOT HAVE to be positioned at the same height.

**NOTES :** WHEN USED WITH BACKUS OR CURVUS, BOTH AXILUS CAN BE OF DIFFERENT PROFILES AND ADJUSTED INDEPENDANTLY IN HEIGHT AND WIDTH.

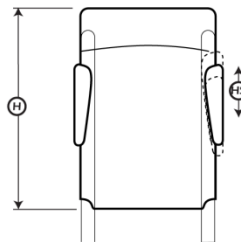
**(WS)** Width Adjustment Between Lateral Thoracic Support Cushions

0 to -3 inches      0 to -76 mm  
Both thoracic supports are adjustable  
3 inches toward the inside



**(HS)** Height Adjustment of Lateral Thoracic Support Cushions

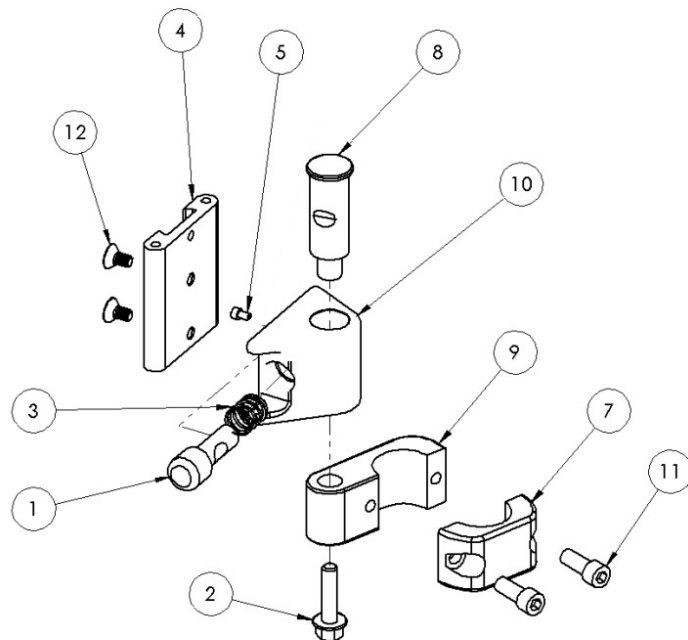
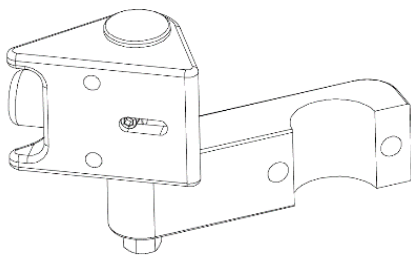
Varies with selected models.  
Additional height adjustment can be done when attaching the anchors to the backcanes.



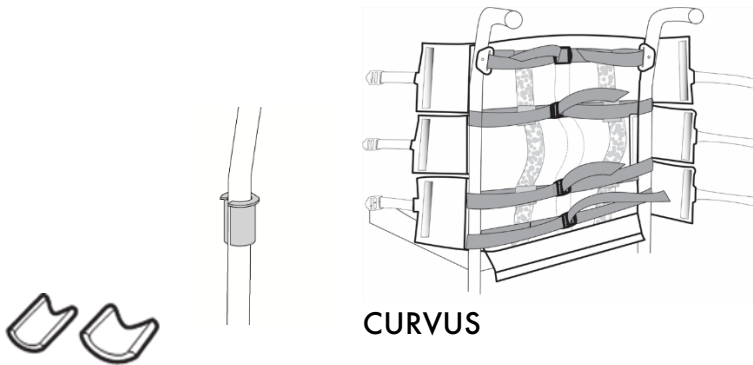
## 9.0 SWING-AWAY ANCHOR AXILUS with BACKUS & CURVUS

### 9.1 SWING-AWAY ANCHOR / MECHANICAL BASE COMPONENTS

ITEM NO.	PART NUMBER	DESCRIPTION	QTY.
1	006-014	PLUNGER	1
2		HEX SCREW 1/4-20 X 1	1
3		SPRING	1
4	006-009	EXTERNAL EXTRUSION	1
5		CAP HEAD SCREW #4-40 X 3/16	1
7	006-001	CANE BUSHING	1
8	006-015	PIVOT	1
9	006-017	CANE SUPPORT	1
10	006-016	STOPPER SUPPORT	1
11		CAP HEAD SCREW 1/4-20 X 3/4	2
12		FLAT HEAD SCREW 10-32 X 3/8	2



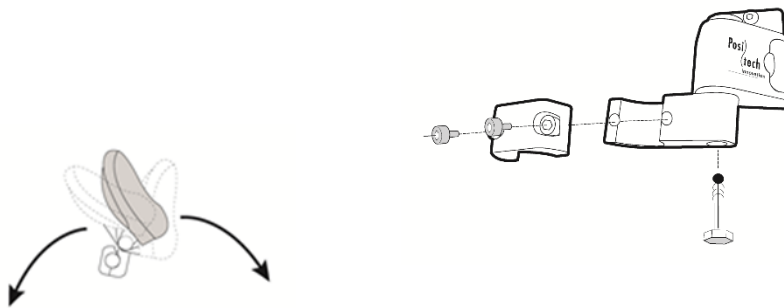
## 9.2 SWING-AWAY ANCHOR/ INSTALLATION & ADJUSTMENT



**CURVUS**

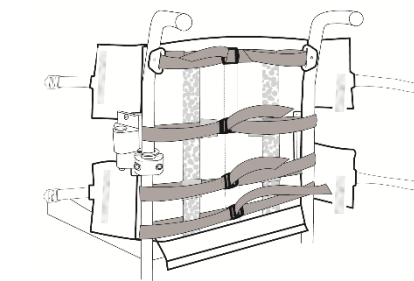
To ease the installation of the anchors, untie and open the upholstered flaps.

If the diameter of the back cane is smaller than 1" (2.5cm), use the provided adaptor (3/4" or 7/8") to add to the existing diameter.



**DO NOT TOUCH THE HEX SCREW.**

Install both anchors (right and left) on their respective back cane and tighten sufficiently the cap head screws to maintain in place to the desired height.

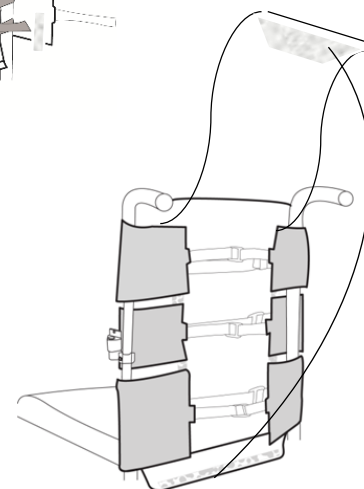


**BACKUS**

Insert vertically the AXILUS cushion onto the anchor. Adjust to the desired height and secure with the screw.

Finalize the installation of the upholstered backrest cushion by securing its Velcro onto the Velcro strips of the structure.

Validate that all straps are well fastened. Close the closing flap.



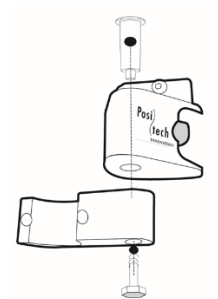
**CURVUS**

Once the user is seated, validate the height and angle of AXILUS. Modify as needed using the various screws.

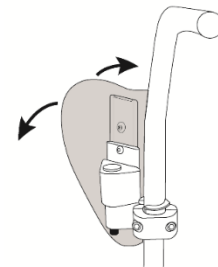


**NOTES :** IF YOU HAVE ROTATED THE ANCHOR SYSTEM PRIOR TO THE FINAL TIGHTENING OF THE HEX SCREW

**A- EXTRACT THE VERTICAL PIVOT WHILE PULLING UPWARDS. ONCE REMOVED, ALIGN THE DENT ON THE PIVOT TO THE LUMP LOCATED INSIDE THE VERTICAL OPENING. PRESS ON THE PLUNGER ALLOWING A ROTATION TO FREE UP THE OPENING OF ALL OBSTACLE. INSERT THE ALIGNED VERTICAL PIVOT. RELEASE PLUNGER TO LOCK IN THE MECHANISM.**



**B- VALIDATE ALL ADJUSTMENTS AND THE MOVEMENT OF THE ANCHOR SYSTEM.**

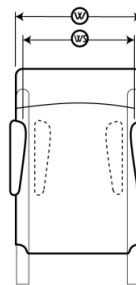


**IF YOU WANT TO CHANGE THE OPENING ANGLE OF THE LATERAL THORACIC CUSHION, WITH YOUR HAND LOOSEN UP THE BOLT BY 3 ROTATIONS.**

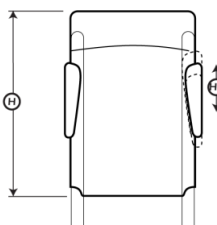
**BY GRABBING THE CUSHION FROM THE TOP AND THE BOTTOM, MAKE A BACK-AND-FORTH MOVEMENT TO FREE UP THE SYSTEM. YOU ARE NOW CAPABLE TO READJUST THE ANGLE OF THE OPENING.**

**NOTES :** WHEN USED WITH BACKUS OR CURVUS, BOTH AXILUS CAN BE OF DIFFERENT PROFILES AND ADJUSTED INDEPENDANTLY IN HEIGHT AND WIDTH.

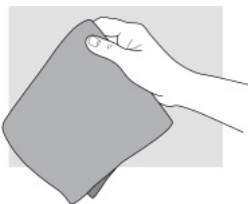
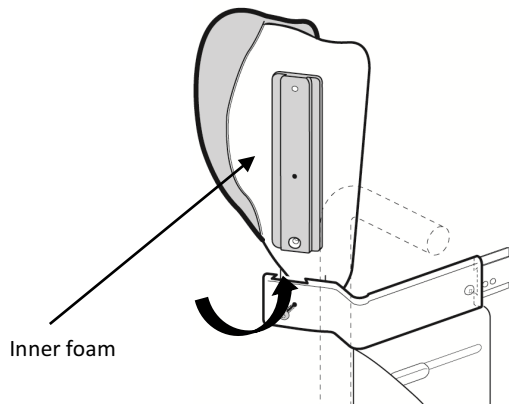
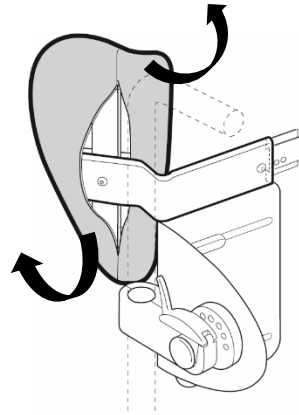
**WS** Width Adjustment Between Lateral Thoracic Support Cushions  
 0 to -3 inches    0 to -76 mm  
*Both thoracic supports are adjustable 3 inches toward the inside*



**HS** Height Adjustment of Lateral Thoracic Support Cushions  
 Varies with selected models.  
 Additional height adjustment can be done when attaching the anchors to the backcanes.



## 10.0 CARE AND MAINTENANCE OF THE COVER & FOAM CUSHION



### SPECIAL CONSIDERATION :

**THESE CARE INSTRUCTIONS ARE VALIDE FOR ALL SHAPES OF AXILUS AS ALL THE COVERS ARE IDENTICAL, REGARDLESS IF USED WITH FLEXUS, BACKUS OR CURVUS BACKRESTS**

**WARNING :**  
**DO NOT IMMERSE THE ENTIRE LATERAL SUPPORT AXILUS**

Remove gently the cover.

Hand wash in cold water with a mild detergent.

Dry flat.

Ensure that both sides are completely dry.

**WARNING :**  
**DO NOT MACHINE DRY**  
**DO NOT SUN DRY**  
**DO NOT STEAM AUTOCLAVE.**  
**DO NOT DRY CLEAN.**  
**DO NOT USE BLEACH.**  
**DO NOT FABRIC SOFTENER.**

Wipe the inner injectable foam cushion with a damp cloth. A mild soap may be used.

Dry thoroughly with a dry cloth.  
Flat dry.

Reassemble once all components are fully dry.



CORPORATE HEADQUARTERS

100-1566 Rue Nationale,  
Terrebonne, Québec, Canada,  
J6W 0E2

TEL: 1 450-964-6262

1 877-964-323

FAX: 1 450-964-3378

[www.positechinnovation.com](http://www.positechinnovation.com)  
[commande@positech.ca](mailto:commande@positech.ca)