

INSTALLATION & CARE MANUAL



BREASTPLATES &
4-ANCHOR POINTS POSTURE BELT



1.0 TABLE OF CONTENTS

	Page
1.0 Table of contents	2
2.0 Important considerations	3
3.0 User, clinician & dealer satisfaction	4
4.0 Warranty & limitation of liability	5
5.0 Tools for installation, adjustment & care	6
6.0 The breastplate STARUS with FLEXUS	6
6.1 Mechanical base components	7
6.2 Installation and adjustments	8-10
7.0 The breastplate STARUS with BACKUS & CURVUS	11
7.1 Mechanical base components	12
7.2 Installation and adjustments	13-15
8.0 The breastplate STARUS care and maintenance	16
9.0 STARUS Reversible 4-Anchor Points Posture Belt	17
9.1 The back posture belt	18-19
9.2 The pelvic posture belt	20-21
10.0 The posture belt STARUS care and maintenance	22



2.0 IMPORTANT CONSIDERATIONS



Positech innovation Inc. accepts no liability for personal injury or damage to property that may arise from the failure to follow the recommendations, warnings, and instructions in this **Installation & Care Manual**.



DEALERS / CLINICIAN :

The respective product **User Manual** must be given to the consumer of any of Positech innovation Inc. products.

Before discharging the user with this product, review the entire **User Manual** with the user/caregiver. The **User Manual** must be saved by the user for future reference as it contains additional safety information related to the safe operation of all our products.

All persons responsible for fitting, adjustment, and daily use of the devices discussed in the **Instruction & Care Manual** must be familiar with and understand all safety aspects of the devices mentioned. In order for our products to be used successfully, you, Dealer & Clinician, must :

- Read and understand all instructions and warnings. If you are unable to understand these guidelines, contact Positech innovation Inc. for further instructions.
- Maintain our products according to our instructions on care and maintenance.
- Devices should be installed and adjusted **ONLY** by a trained qualified technician or clinician.
- Failure to adhere to instructions and warnings in this document may result in property damage, injury, or death.
- Product misuse due to failure of the following instructions will void the warranty.

Inform the User :

- To **NEVER** modify the set adjustments made you, Dealer & Clinician.
- To immediately discontinue use if any function is compromised, parts are missing, loose, or shows signs of excessive wear.

Consult with Positech innovation Inc. for repair, adjustment, or replacement.

A faulty usage of this product could worsen the user’s condition instead of improving it.

Usage of this product for therapeutic purposes such as posture correction and support must be conducted in collaboration with a trained clinician.



DEALER/CLINICIAN :

Check all parts for shipping damages before using. In case of damage, do **NOT** use the equipment. Contact Positech innovation Inc. for further instructions.

Monthly verifications are necessary to ensure that :

- Components are fastened securely.
- Adjustments remain adapted to the patient’s condition evolution.
- Under the supervision of the clinician, further adjustments may be necessary in the event of a weight gain or loss, or an improvement or a worsening of the posture.



This **Installation & Care Manual** is compiled from the latest specifications and product information available at the time of publication. We reserve the right to make changes as they become necessary. Any changes to our products may cause slight variations between the illustrations and explanations in this manual and the product you have purchased. Information contained within this document is subject to change without notice.



You can download additional copies of this **Installation & Care Manual & User Manual** on the Positech innovation Inc. website.

3.0 USER, CLINICIAN & DEALER SATISFACTION

You sit well with us.

Positech innovation Inc. strives for 100% customer satisfaction.

Your complete satisfaction is important to us.

Please contact us with feedback or suggestions that will enhance the quality and functionality of these products.

We can be reached at :

Mail	100-1566 Rue Nationale, Terrebonne, Québec, Canada, J6W 0E2
Email	commande@positech.ca
Website	www.positechinnovation.com
Phone	(1) 450 964 3232
Toll Free	(1) 877 964 3232
Fax	(1) 450 964 3378
Customer Service Hours	Monday through Friday – 8h00 to 17h00 Eastern Standard Time (EST)

FOR YOUR RECORD

INSTALLATION DATE		CLINIC/HEALTHCARE CENTRE/PRACTICE	
USER INFORMATION NAME: EMAIL/PHONE: FILE #:		DEALER STAMP	
		SERIAL NUMBER (if applicable)	

4.0 WARRANTY & LIMITATION OF LIABILITY

Metallic components of products purchased from Positech are warranted against defects in workmanship and material for a period of two (2) years from the date of delivery of the product to the first consumer.

Textile components of products purchased from Positech are warranted against defects in workmanship and material for a period of ninety (90) days from the date of delivery of the product to the first consumer.

Non-metallic and non-textile components of products purchased from Positech are warranted against defects in workmanship and material for a period of one (1) year from the date of delivery of the product to the first consumer.

Positech's obligations under this warranty are limited to replacing (transportation costs at the Dealer's expense) or repairing, at its option, any products which under normal and proper use and maintenance are proved to be defective to Positech, in its sole discretion, within the warranty period, provided that Positech has had the opportunity to inspect them.

This warranty is not transferable and only applies to the first consumer purchase through an authorized Positech dealer.

This warranty does not cover products or parts thereof which (i) normally wear out due to the general wear and tear of standard use, (ii) are modified, altered, inadequately stored or kept, or (iii) are not installed, adjusted, used or maintained in accordance with Positech's instructions. In addition to the foregoing, this warranty does not cover punctures, tears, or burns, exposure to moisture, exceeding the weight limit and <acts of nature> (ex. Flood, Earthquake, Tornado, etc.). Any substitutions of supplied hardware also void the warranty.

THE FOREGOING IS POSITECH'S SOLE WARRANTY, ALL OTHER WARRANTIES, EXPRESSED OR IMPLIED, INCLUDING WARRANTIES OF FITNESS FOR PURPOSE AND MERCHANTABILITY, ARE EXCLUDED AND DISCLAIMED TO THE FULL EXTENT PERMITTED BY LAW. IN NO EVENT SHALL THE DEALER BE ENTITLED TO MORE THAN THE PRICE OF THE PURCHASED PRODUCTS AT THAT TIME AS FINAL PENALTY AND DAMAGE. IN NO EVENT, WHETHER AS A RESULT OF CONTRACT, TORT, STRICT LIABILITY OR OTHERWISE, SHALL POSITECH BE LIABLE FOR SPECIAL, INCIDENTAL, CONSEQUENTIAL OR PUNITIVE DAMAGES, INCLUDING BUT NOT LIMITED TO, LOSS OF USE, PROFIT OR REVENUE.

The Dealer understands and agrees that the Positech's products may be dangerous and result in injury, worsening of the condition or damage to property if not used properly. Consequently, the Dealer shall inform the user that he/she must (i) comply with all specifications, instructions and other requirements provided by Positech with the products, on Positech's website, in manuals, data sheets, on labels or packaging, and the terms & conditions uniting parties before making use of the products, and (ii) use the products under the supervision of a therapist in the case of severe deformities or when used for therapeutic purposes.

The Dealer shall hold harmless, indemnify and defend Positech from and against any and all claims, demands, causes of action, suits or judgments (including costs, expenses and reasonable attorney fees incurred in connection therewith) for the injury to any person or for loss of or damage to property arising out of or in connection with the improper use of the products whether or not caused by Dealer's negligence and for any default hereunder.

The Dealer may have additional rights by law which may vary from one jurisdiction to another. Positech does not hereby intend to limit or exclude the rights of the Dealer beyond the limits allowed by law.

This warranty applies in CANADA only.

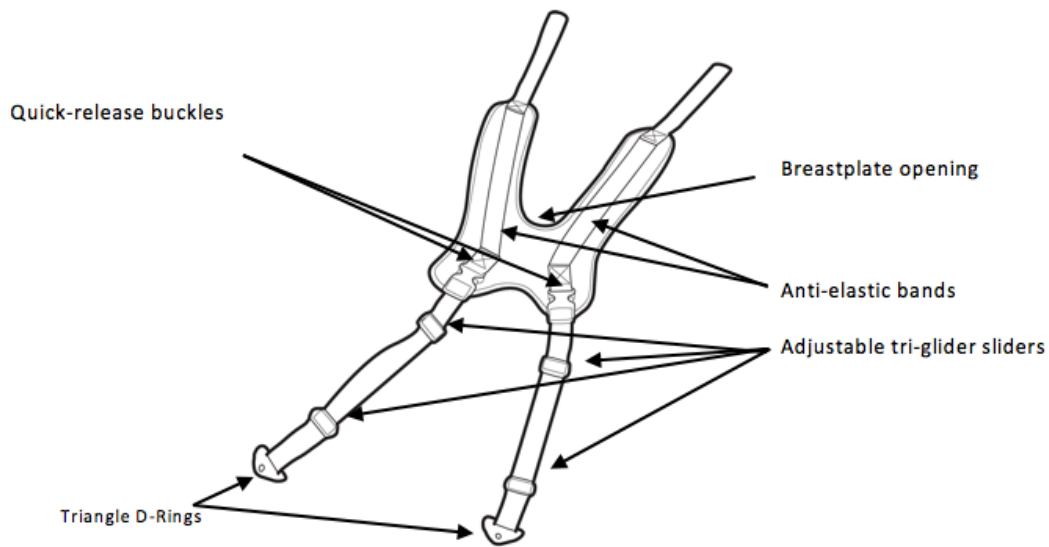
WARRANTY SERVICE

To obtain service under this warranty, the warranty-eligible Product must be presented to the nearest Positech innovation Inc. authorized dealer. In Canada, warranty service may also be obtained by calling (877)964 3232, Monday through Friday 8h00 to 17h00 Eastern Standard Time. Owner is responsible for all costs associated with returning Product to Positech innovation Inc. for service. Where at its sole discretion Positech innovation Inc. deems Product eligible for warranty repair or replacement, Positech innovation Inc. will pay the shipping and handling associated with returning repaired or replaced Product to Owner. In instances where Positech innovation Inc. deems a returned product ineligible for warranty service, Positech innovation Inc. will, if possible, repair product for a reasonable charge that includes return shipping and handling.

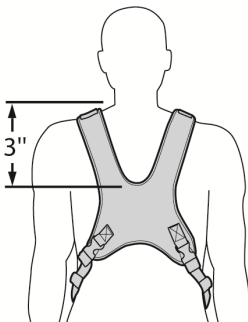
5.0 TOOLS FOR INSTALLATION, ADJUSTMENT AND CARE

- | | | | |
|----------------------|---|-----------------------|---|
| • Allen key 1/8 in. |  | Wrench 7/16 in. |  |
| • Allen key 5/32 in. |  | Robertson screwdriver |  |
| • Allen key 3/16 in. |  | Measuring tape |  |
| • Wrench 3/8 in. |  | Metal saw |  |

6.0 THE BREASTPLATE STARUS with FLEXUS



The breastplate height must allow for proper neck clearance. There must be AT LEAST 3 in. (7.5 cm) between the opening of the breastplate and the base of the neck.

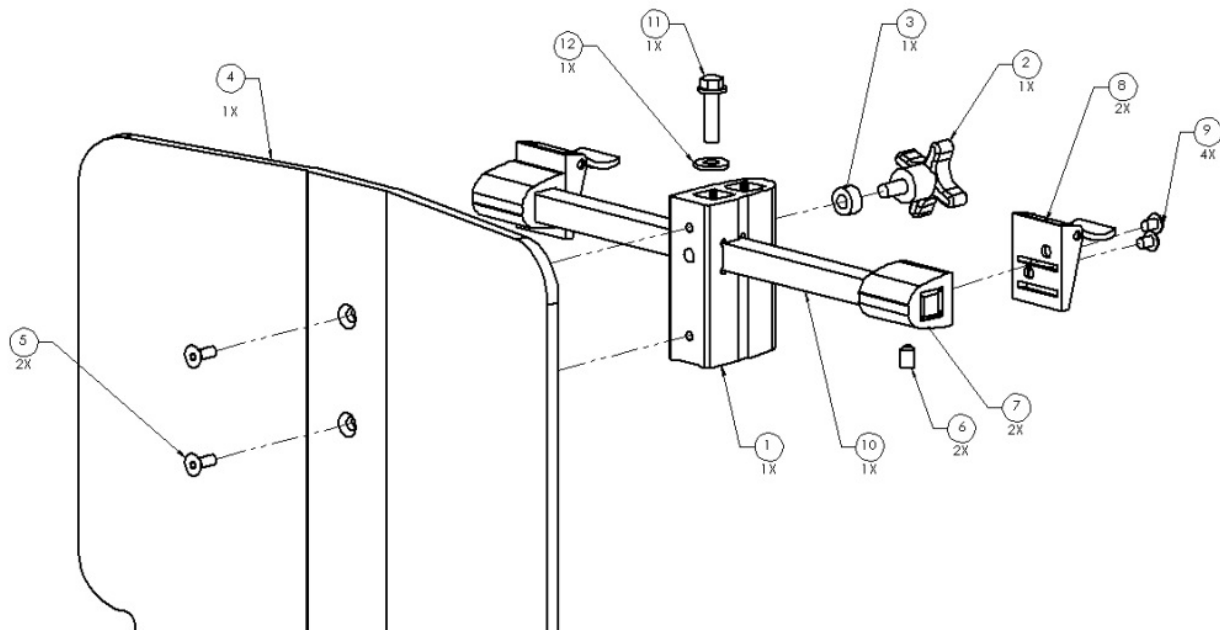


NOTES:

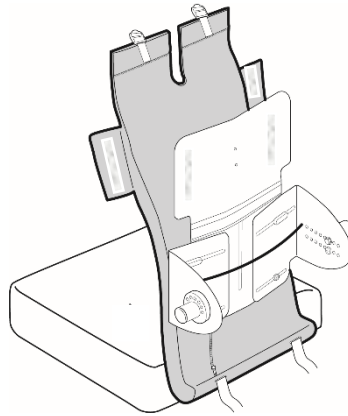
IN ORDER NOT TO COMPRESS THE TOP OF SHOULDER, VALIDATE THAT THE HEIGHT OF THE BACKREST IS OVERALL HIGHER.

6.1 MECHANICAL BASE COMPONENTS

ITEM NO.	PART NUMBER	DESCRIPTION	QTY.
1	003-119	HEADREST SUPPORT	1
2		BOTECO LOCK	1
3	003-122	COSMETIC FOAM 1/4	1
4	005-122	UPPER FIXED PLATE - CHILD	1
4	002-187	UPPER FIXED PLATE - ADULT	1
5		FLAT HEAD SCREW 10-32 X 1/2	2
6		SET SCREW 1/4-20 X 3/8	2
7	003-117	BREASTPLATE FASTENER	2
8		LOCKING CLIP	2
9		BUTTON HEAD SCREW 10-32 X 1/4	4
10	003-116	BREASTPLATE STEM	1
11		HEX BOLT 1/4-20 X 1	1
12		WASHER 1/4	1

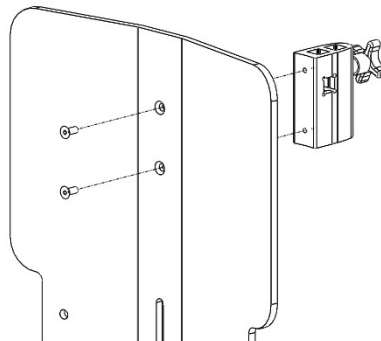


6.2 INSTALLATION AND ADJUSTMENTS

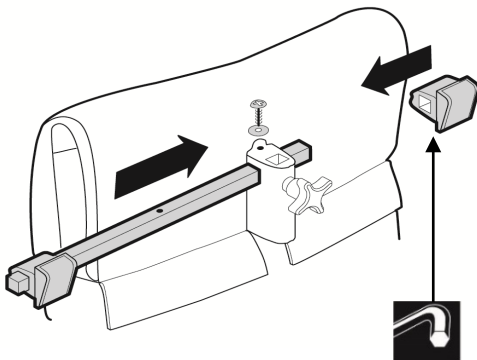


If not already done, install the headrest support.

To install the headrest support onto the structure, you must remove the upper part of the upholstered backrest cushion.

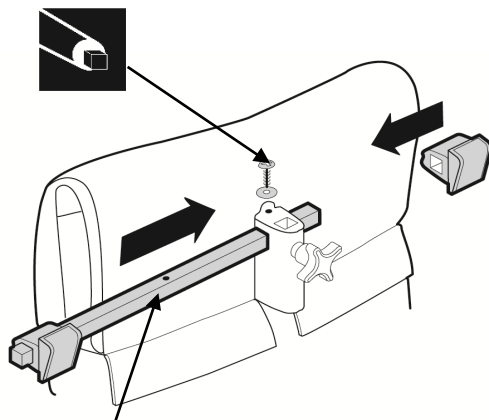


The headrest support is secured with two flat head screws from the INSIDE of the upper fixed plate towards its outside.



1/8
Set-screw under the breastplate fastener

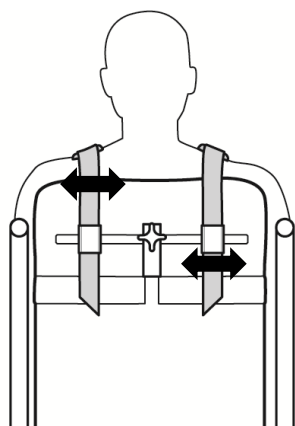
To install the breastplate binding system, remove one of the (2) breastplate fasteners from the bar, loosen the set-screw sufficiently to allow the bar to slide in, insert the bar into the headrest support and reinsert the second breastplate fastener onto the bar.



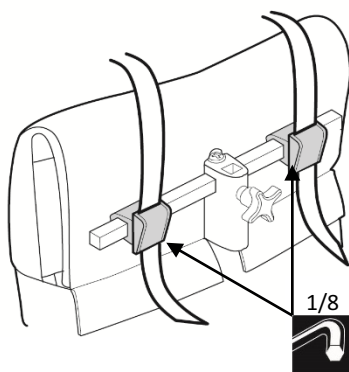
Predrilled & centred hole

To center the bar to the wheelchair, align the predrilled hole of the mounting bar to the one of the breastplate stem.

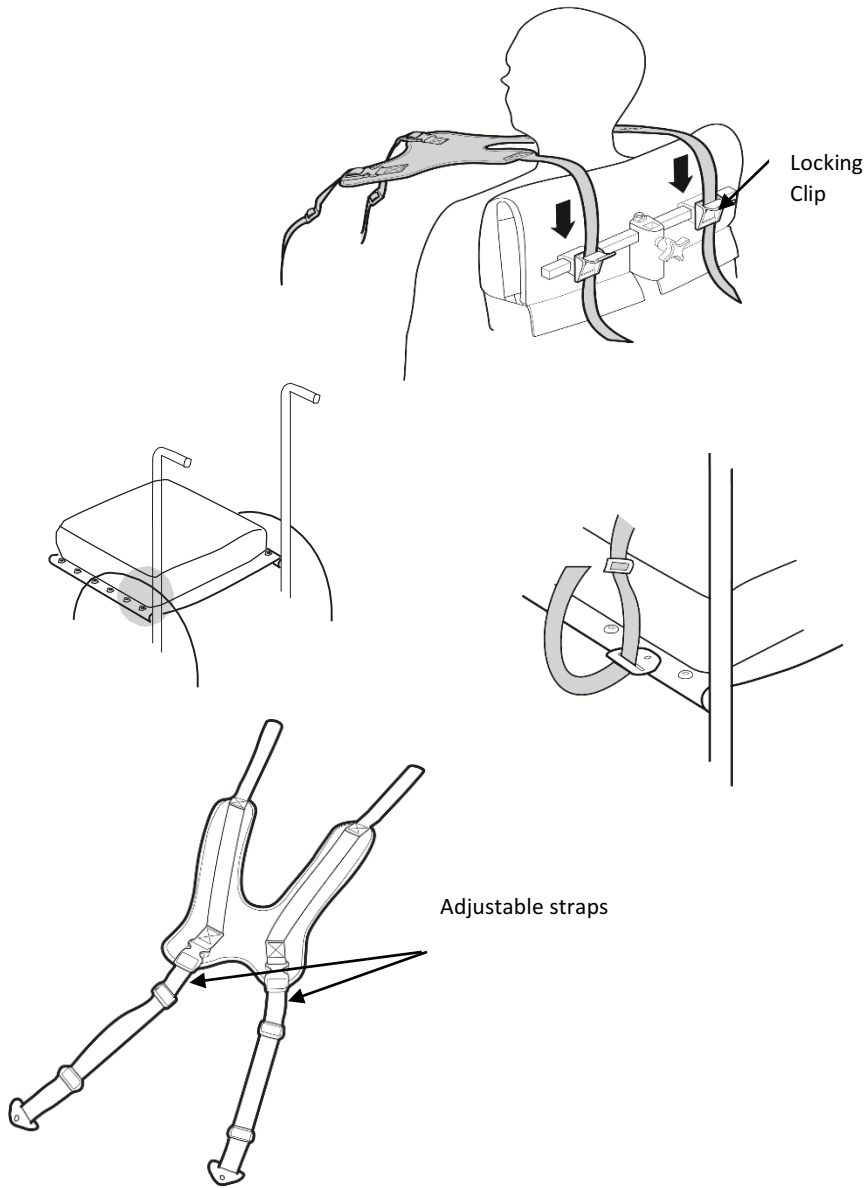
Insert the hex bolt and secure firmly.



Sit user and adjust the width between both breastplate fasteners to accommodate the upper strap portions to the shoulder width of the user.



Use the set screws located under the breastplate fasteners to secure their positions.



Open the locking clips of both breastplate fasteners and insert upper strap portions through.

WARNING:
Ensure that you have freed up the required minimum 3" (7.5cm) space from the throat of the user.

Close the locking clips.

Install the triangle D-ring to the rear portion of the seat frame on each side.

Insert the strap into the triangle D-ring and secure the excess into the tri-glider sliders.

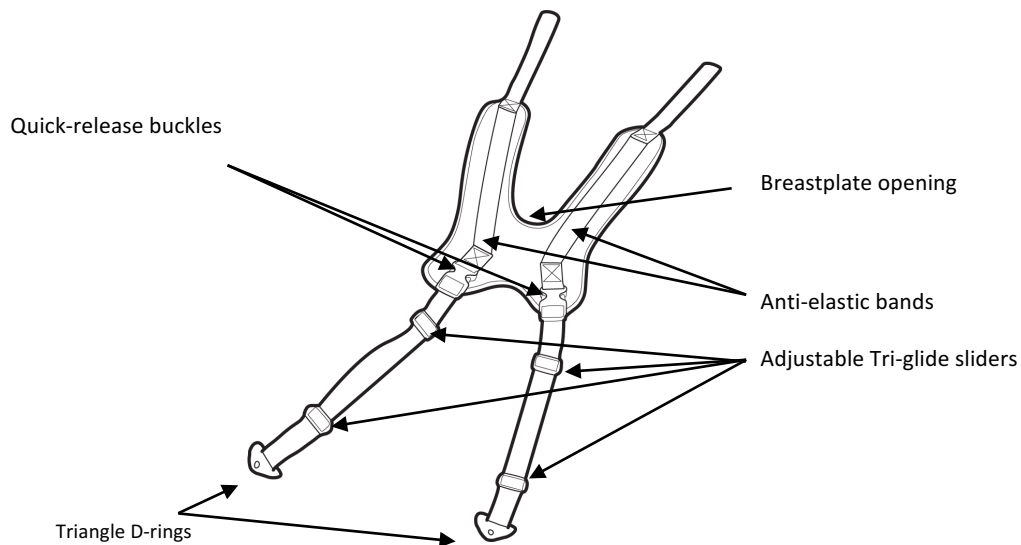
Fine-tune the adjustments by using the portion of the straps inserted into the quick-release buckle. Secure the excess into the tri-glider sliders.

NOTES:

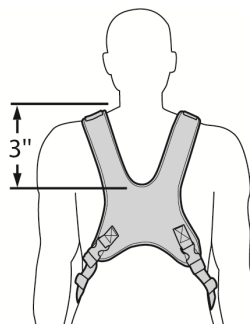
FOR FURTHER ADJUSTMENTS, USE ONLY THE ADJUSTABLE STRAPS TO GENERATE THE DESIRED TENSION. ALL OTHER CONFIGURATIONS SHOULD NOT BE CHANGED.

TO FREE-UP THE USER, SIMPLY RELEASE THE QUICK-RELEASE BUCKLES AND BRING THE BREASTPLATE ABOVE THE HEAD TOWARDS THE BACK OF THE WHEELCHAIR. WHEN RESITTING THE USER, ALL THE ADJUSTMENTS WILL HAVE REMAINED, SIMPLY BUCKLE THE MECHANISM TO RETRIEVE PRESET CONFIGURATIONS.

7.0 THE BREASTPLATE STARUS with BACKUS & CURVUS



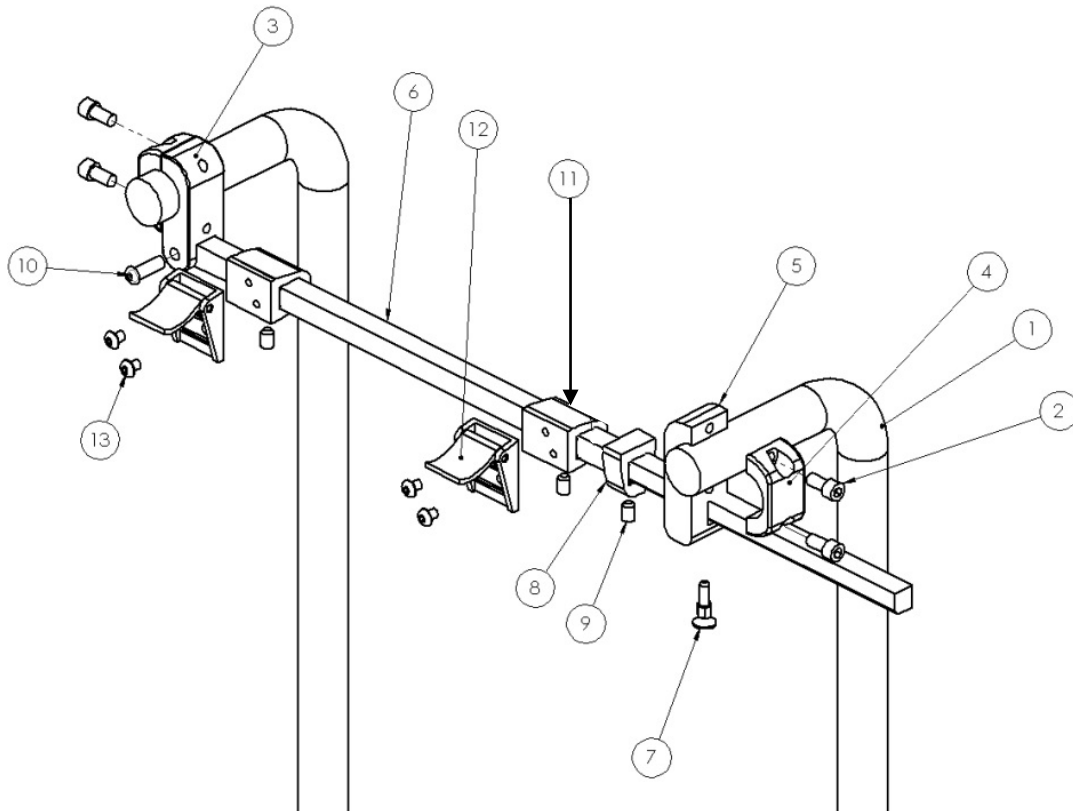
The breastplate height must allow for proper neck clearance. There must be AT LEAST 3 in. (7.5 cm) between the opening of the breastplate and the base of the neck.



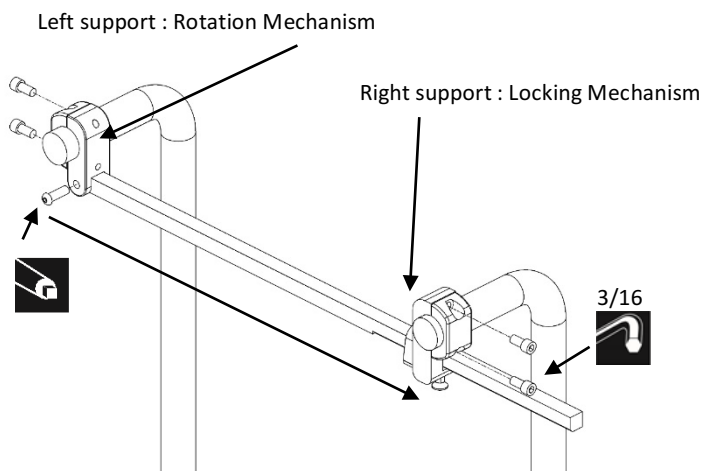
NOTES:	IN ORDER NOT TO COMPRESS THE TOP OF SHOULDER, VALIDATE THAT THE HEIGHT OF THE BACKREST IS OVERALL HIGHER.
---------------	--

7.1 MECHANICAL BASE COMPONENTS

ITEM NO.	PART NUMBER	DESCRIPTION	QTY.
1	REF	WHEELCHAIR	2
2		SOCKET HEAD CAP SCREW 1/4-20 X 1-1/4	4
3	007-021	LEFT SUPPORT	1
4	006-001	WHEELCHAIR RING	2
5	007-020	RIGHT SUPPORT	1
6	007-022	MOUNTING BAR	1
7		PLUNGER	1
8	003-121	LOCK	1
9		SET SCREW 1/4	3
10		CAP SCREW 1/4-20 X 1	1
11	003-117	BREASTPLATE FASTENER	2
12		LOCKING CLIP	2
13		BUTTON HEAD SCREW 10-32 X 1/4	4



7.2 INSTALLATION & ADJUSTMENTS

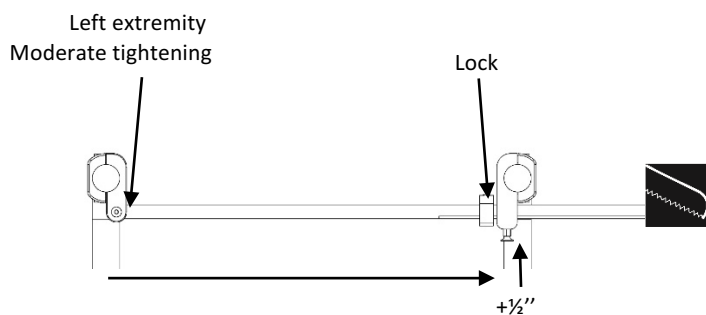


Fasten both supports to wheelchair cane handles onto their respective side:

On the LEFT side of the user the rotation mechanism.
On the RIGHT side of the user the locking mechanism.

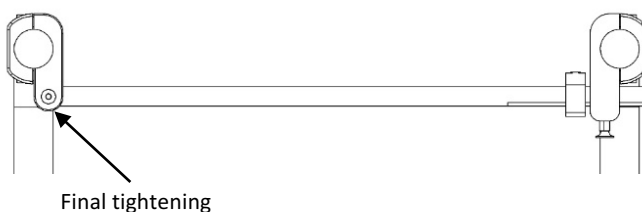
Ensure that both supports are paralleled to the handles.

At the LEFT extremity, tighten in moderately the mounting bar with the cap screw to measure the distance to the opposite anchor.

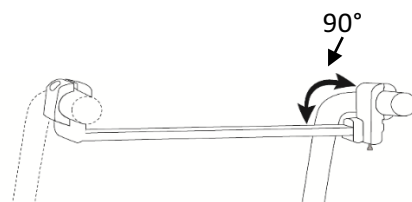


ADD to this measurement 1/2" (1.27 cm).

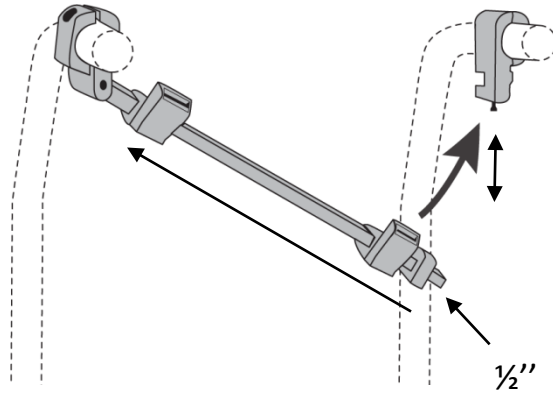
Cut the RIGHT extremity of the mounting bar which has all the miniatures holes to the desired length.



Secure the one hole extremity of the bar in place by tightening it with a screw.



Validate that the anchor forms a 90 ° with the mounting bar.



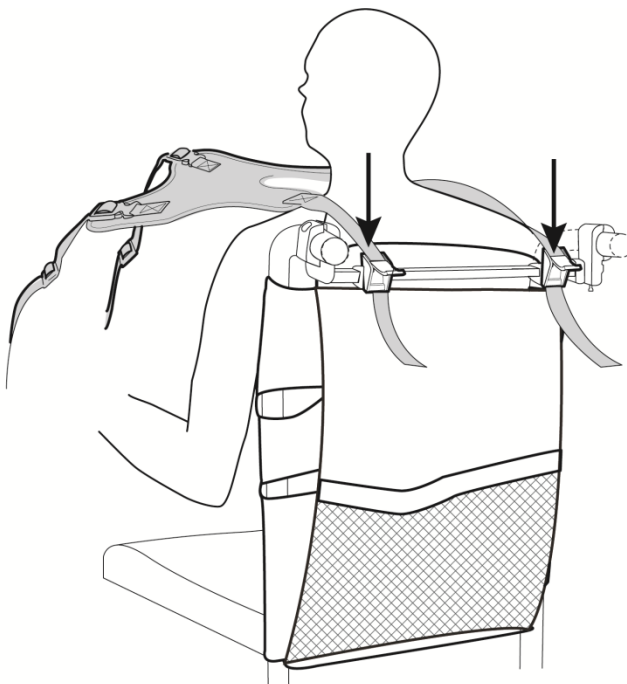
Insert the 2 sliders.

Insert the lock and leave free 1/2" (1.27cm)

Secure the mounting bar by using the push-pull screw.

Pull the screw down, insert bar, push the screw up into the small hole of the bar to lock in place.

NOTE:
IT ALLOWS THE FOLDING OF THE WHEELCHAIR.



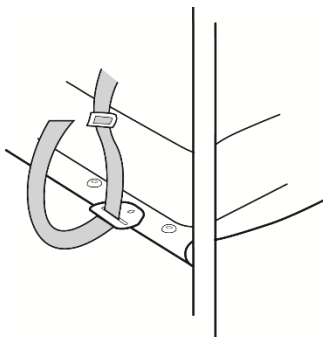
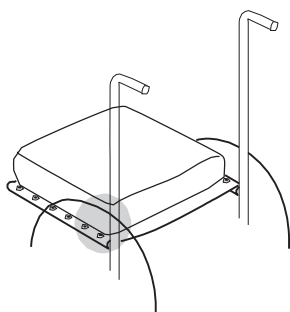
Sit user and adjust the width between both breastplate fasteners to accommodate the upper strap portions to the shoulder width of the user.

Use the screws located under the breastplate fasteners to secure their position.

Open the clips of both breastplate fasteners and insert upper straps through the clips.

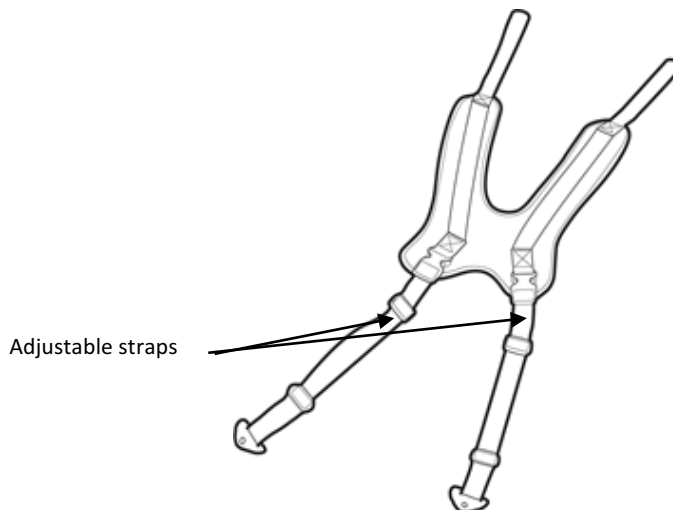
WARNING:
Ensure that you have freed up the required minimum 3" (7.5cm) space from the neck.

Close the clips.



Fasten the triangle D-rings to the rear portion of the seat frame on each side.

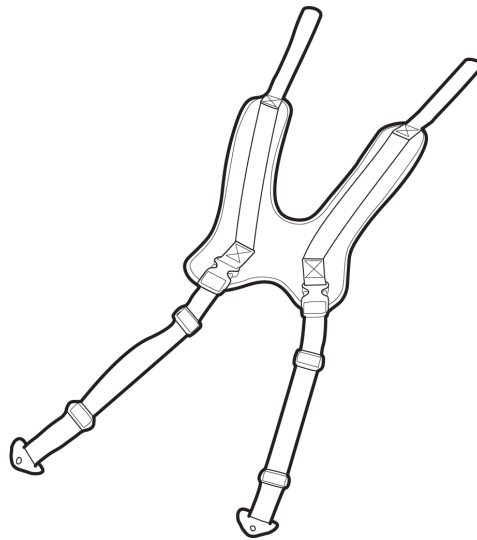
Insert the straps into triangle D-Rings and secure the excess length of straps into the tri-gliding sliders.



Fine-tune the adjustments by using the portion of the straps inserted into the quick-release buckle. Secure the excess into the tri-gliding sliders.

<p>NOTES :</p>	<p>FOR FURTHER ADJUSTEMENTS, USE ONLY THE ADJUSTABLE STRAPS TO GENERATE THE DESIRED TENSION. ALL OTHER CONFIGURATIONS SHOULD NOT BE CHANGED.</p> <p>TO FREE-UP THE USER, SIMPLY OPEN THE QUICK-RELEASE BUCKLES AND BRING THE BREASTPLATE ABOVE THE HEAD TOWARDS THE BACK OF THE WHEELCHAIR. WHEN RESITTING THE USER, ALL THE ADJUSTMENTS WILL HAVE REMAINED, SIMPLY BUCKLE BACK THE MECHANISM TO RETRIEVE PRESET CONFIGURATIONS.</p>
-----------------------	--

8.0 THE BREASTPLATE STARUS CARE AND MAINTENANCE



WARNING :

DO NOT MACHINE DRY.
DO NOT STEAM AUTOCLAVE.
DO NOT DRY CLEAN.
DO NOT USE BLEACH.
DO NOT USE FABRIC SOFTENER.

Free-up the upper part of the breastplate by opening the clips and the lower part by unlocking both quick-release buckles.

Hand wash the breastplate section in cold water with a mild detergent.

Dry flat.

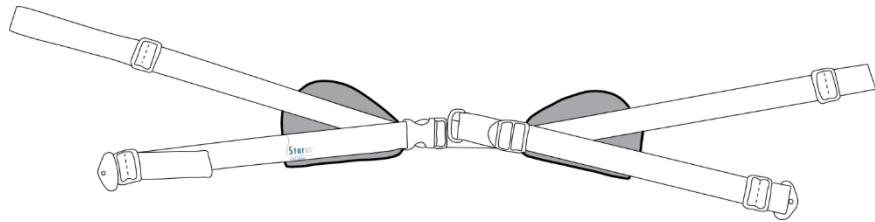
Ensure that both sides are completely dry, then reassemble.

9.0 THE STARUS REVERSIBLE 4-ANCHOR POINTS POSTURE BELT

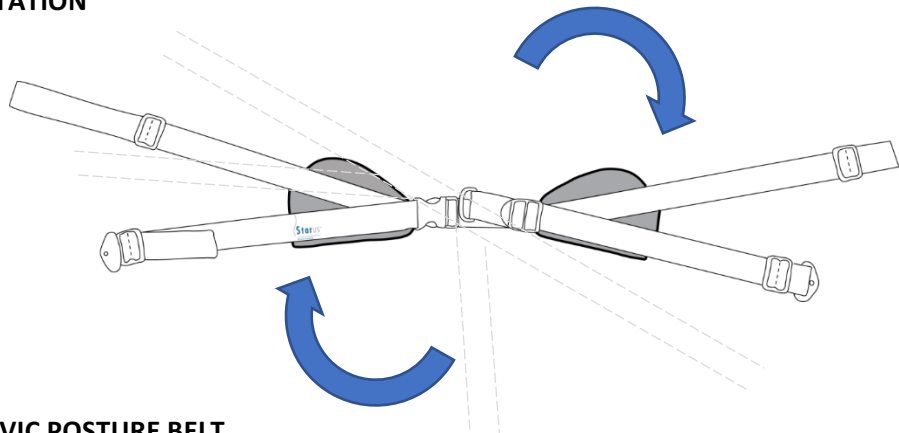
NOTE:

THERE ARE TWO INSTALLATIONS OF THE STARUS POSTURE BELT POSSIBLE. BOTH PROVIDE THE USER WITH ADDITIONAL SUPPORT FOR AN OPTIMAL POSTURE OF THE BACK OR THE PELVIS.

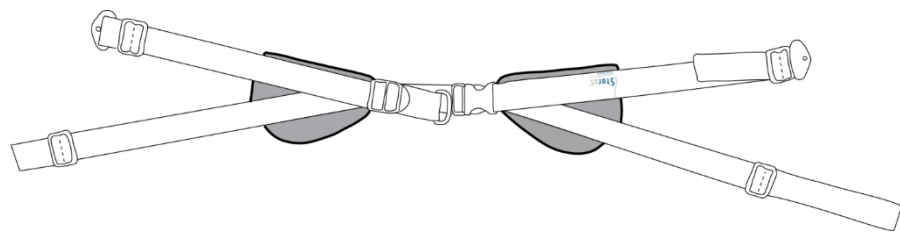
BACK POSTURE BELT



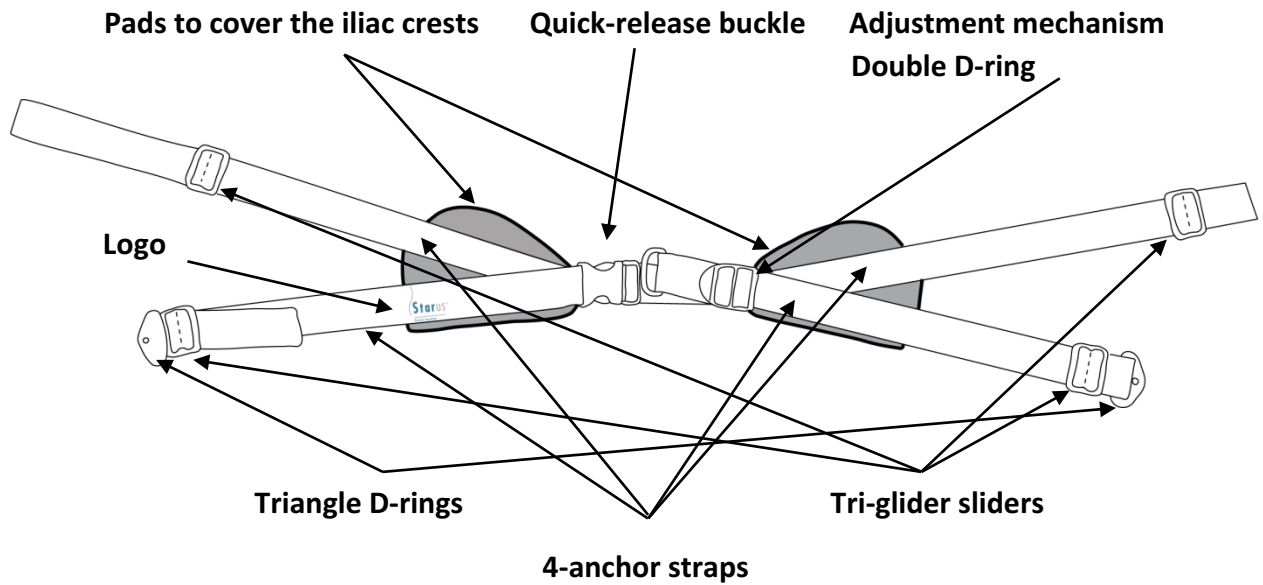
ROTATION



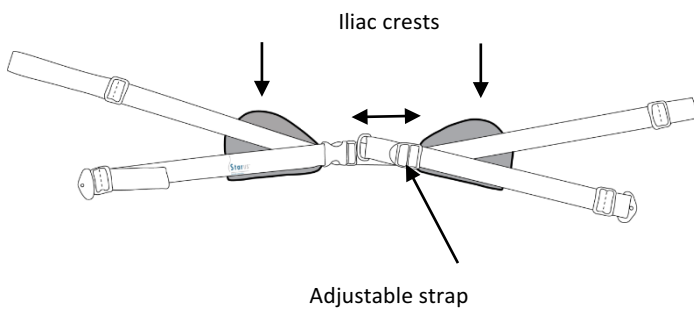
PELVIC POSTURE BELT



9.1 THE BACK POSTURE BELT

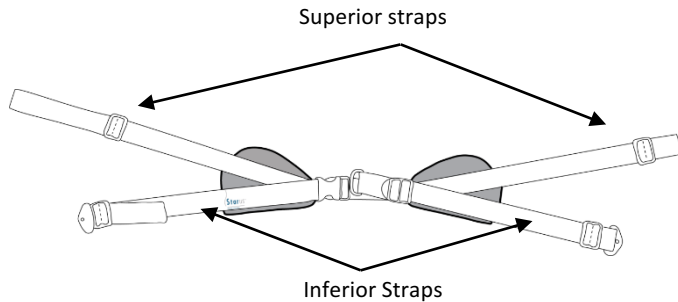


NOTES :	<p>USED TO BRING CLOSER THE USER'S BACK TO THE BACKREST CUSHION.</p> <p>WHEN FACING THE USER, THE STARUS LOGO IS LOCATED ON THE RIGHT ILIAC CREST OF THE USER.</p>
----------------	--

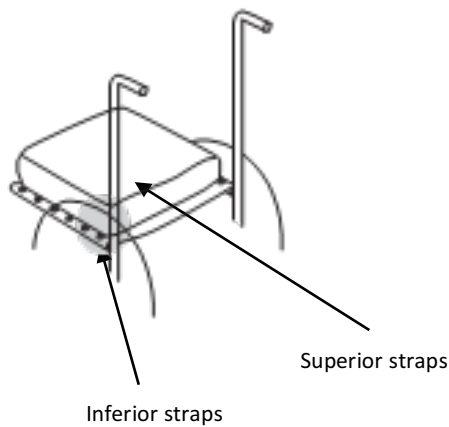


Loosen or tighten the adjustment mechanism Double D-ring in order to align the lateral pads over the iliac crests. Hold in place.

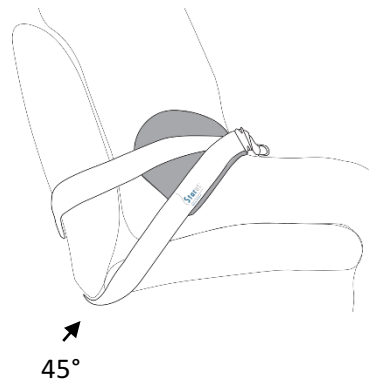
Determine the required length for each of the 4- anchor straps.



The superior straps should be attached at the required height (the lateral pads must stay flat on the iliac crest) to the rigid structure of the backrest or the back-frame tubes of the wheelchair. Fastened firmly.



The inferior straps should be attached to the rear portion of the structure frame of the seat.

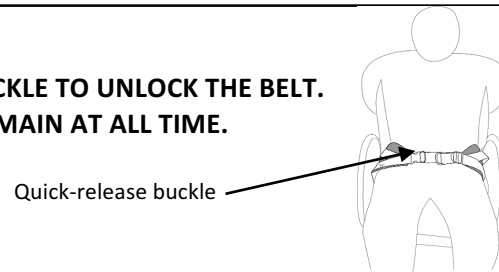


A 45° angle should be respected while assuring that the lateral pads remain flat on the iliac crests.

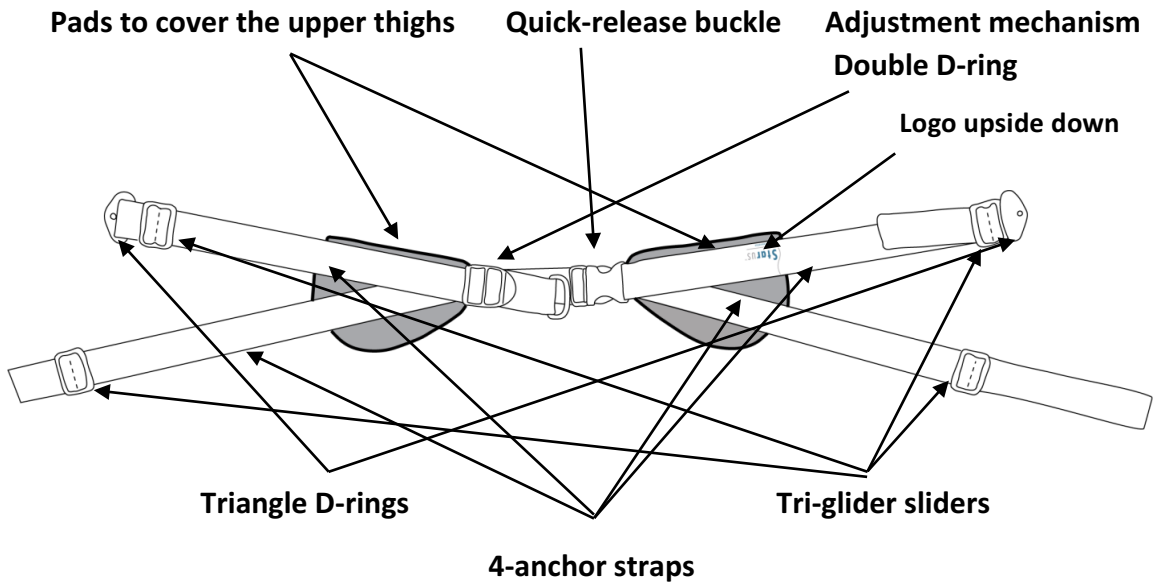
Fasten firmly.

NOTES :

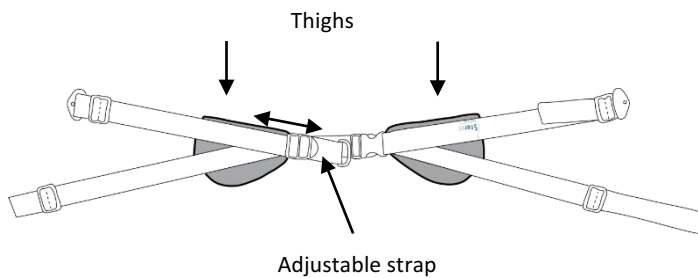
**/USE ONLY THE QUICK-RELEASE BUCKLE TO UNLOCK THE BELT.
THE SET CONFIGURATIONS WILL REMAIN AT ALL TIME.**



9.2 THE PELVIC POSTURE BELT



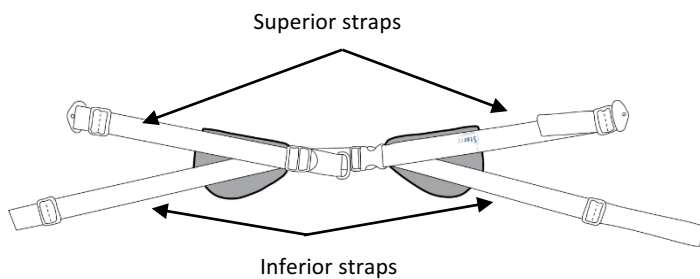
NOTES :	<p>USED TO BRING CLOSER THE USER'S PELVIC TO THE SEAT CUSHION.</p> <p>WHEN FACING THE USER, THE STARUS LOGO IS LOCATED UPSIDE DOWN ON THE LEFT THIGH OF THE USER.</p>
----------------	---



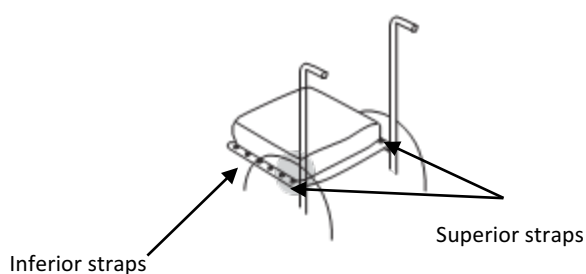
Turn the belt upside down.

Loosen or tighten the adjustment mechanism double D-ring in order to align the lateral pads over the thighs. Hold in place.

Determine the required length for each of the 4-anchor straps.

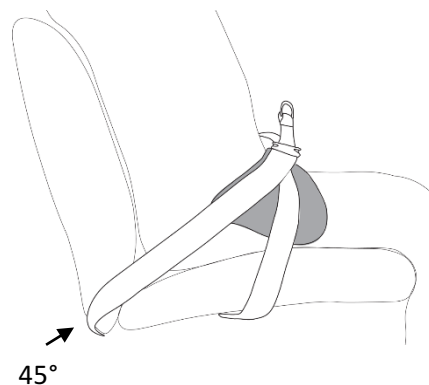


The superior straps should be attached at the junction of the rear part of the structure frame of the seat and the lower portion of the back canes.

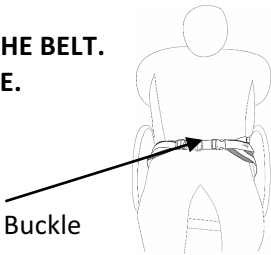


The inferior straps should be attached to the side portion of the structure frame of the seat.

A 45° angle should be respected while assuring that the lateral pads remain flat on the upper portion of the thighs.



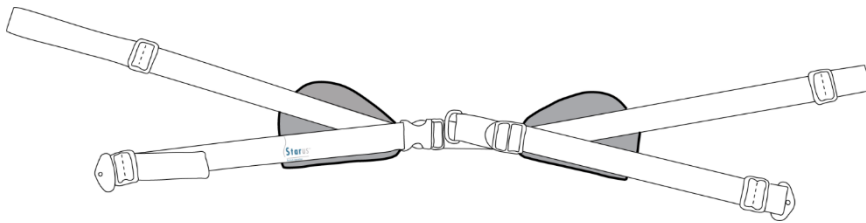
Fasten firmly.

<p>NOTES :</p>	<p>USE ONLY THE QUICK-RELEASE BUCKLE TO UNLOCK THE BELT. THE SET CONFIGURATIONS WILL REMAIN AT ALL TIME.</p>  <p>Quick-release Buckle</p>
-----------------------	--

10.0 THE STARUS POSTURE BELT CARE AND MAINTENANCE

WARNING :

DO NOT MACHINE DRY
DO NOT SUN DRY
DO NOT STEAM AUTOCLAVE.
DO NOT DRY CLEAN.
DO NOT USE BLEACH.
DO NOT USE FABRIC SOFTENER.



Disassemble from the wheelchair.

Hand wash in cold water with a mild detergent.

Dry flat.

Ensure that both sides are completely dry, THEN HAVE REASSEMBLED BY CLINICIAN/TECHNICIAN.



CORPORATE HEADQUARTERS

100-1566 Rue Nationale,
Terrebonne, Québec, Canada,
J6W 0E2

TEL: 1 450-964-6262

1 877-964-3232

FAX: 1 450-964-3378

www.positechinnovation.com
commande@positech.ca