

INSTALLATION & CARE MANUAL



1.0 TABLE OF CONTENTS

	Page
1.0 Table of contents	2
2.0 Important considerations	3
3.0 User, clinician & dealer satisfaction	4
4.0 Warranty & limitation of liability	5
5.0 Tools for installation, adjustment & care	6
6.0 SUMMUS headrest system with FLEXUS	
6.1 Mechanical base components	6-7
6.2 Installation and adjustments	8-9
7.0 SUMMUS headrest system with BACKUS & CURVUS	
7.1 Mechanical base components	10
7.2 Installation and adjustments	11-13
8.0 Care and maintenance of the cover	14



2.0 IMPORTANT CONSIDERATIONS



Positech innovation Inc. accepts no liability for personal injury or damage to property that may arise from the failure to follow the recommendations, warnings, and instructions in this **Installation & Care Manual**.

DEALERS / CLINICIAN :

The respective product **User Manual** must be given to the consumer of any of Positech innovation Inc. products.

Before discharging the user with this product, review the entire **User Manual** with the user/caregiver. The **User Manual** must be saved by the user for future reference as it contains additional safety information related to the safe operation of all our products.

All persons responsible for fitting, adjustment, and daily use of the devices discussed in the **Instruction & Care Manual** must be familiar with and understand all safety aspects of the devices mentioned. In order for our products to be used successfully, you, Dealer & Clinician, must :

- Read and understand all instructions and warnings. If you are unable to understand these guidelines, contact Positech innovation Inc. for further instructions.
- Maintain our products according to our instructions on care and maintenance.
- Devices should be installed and adjusted **ONLY** by a trained qualified technician or clinician.
- Failure to adhere to instructions and warnings in this document may result in property damage, injury, or death.
- Product misuse due to failure of the following instructions will void the warranty.

Inform the User :

- To **NEVER** modify the set adjustments made you, Dealer & Clinician.
- To immediately discontinue use if any function is compromised, parts are missing, loose, or shows signs of excessive wear.

Consult with Positech innovation Inc. for repair, adjustment, or replacement.

A faulty usage of this product could worsen the user's condition instead of improving it.

Usage of this product for therapeutic purposes such as posture correction and support must be conducted in collaboration with a trained clinician.



DEALER/CLINICIAN :

Check all parts for shipping damages before using. In case of damage, do **NOT** use the equipment. Contact Positech innovation Inc. for further instructions.

Monthly verifications are necessary to ensure that :

- Components are fastened securely.
- Adjustments remain adapted to the patient's condition evolution.
- Under the supervision of the clinician, further adjustments may be necessary in the event of a weight gain or loss, or an improvement or a worsening of the posture.



This **Installation & Care Manual** is compiled from the latest specifications and product information available at the time of publication. We reserve the right to make changes as they become necessary. Any changes to our products may cause slight variations between the illustrations and explanations in this manual and the product you have purchased. Information contained within this document is subject to change without notice.



You can download additional copies of this **Installation & Care Manual & User Manual** on the Positech innovation Inc. website.

FLEXUS, BACKUS, STOPUS, AXILUS & SUMMUS comply to :

- **RESNA WC-4:2012 Section 20 : Seating Systems for Use in Motor Vehicles.**
- **ISO 16840-4 Wheelchair Seating – PART 4: Seating Systems for Use in Motor Vehicles.**

3.0 USER, CLINICIAN & DEALER SATISFCTION

You sit well with us.

Positech innovation Inc. strives for 100% customer satisfaction.

Your complete satisfaction is important to us.

Please contact us with feedback or suggestions that will enhance the quality and functionality of these products.

We can be reached at :

Mail	100-1566 Rue Nationale, Terrebonne, Québec, Canada, J6W 0E2
Email	commande@positech.ca
Website	www.positechinnovation.com
Phone	(1) 450 964 3232
Toll Free	(1) 877 964 3232
Fax	(1) 450 964 3378
Customer Service Hours	Monday through Friday – 8h00 to 17h00 Eastern Standard Time (EST)

FOR YOUR RECORD

INSTALLATION DATE		CLINIC/HEALTHCARE CENTRE/PRACTICE	
USER INFORMATION NAME: EMAIL/PHONE: FILE #:		DEALER STAMP	
		SERIAL NUMBER (if applicable)	

4.0 WARRANTY & LIMITATION OF LIABILITY

Metallic components of products purchased from Positech are warranted against defects in workmanship and material for a period of two (2) years from the date of delivery of the product to the first consumer.

Textile components of products purchased from Positech are warranted against defects in workmanship and material for a period of ninety (90) days from the date of delivery of the product to the first consumer.

Non-metallic and non-textile components of products purchased from Positech are warranted against defects in workmanship and material for a period of one (1) year from the date of delivery of the product to the first consumer.

Positech's obligations under this warranty are limited to replacing (transportation costs at the Dealer's expense) or repairing, at its option, any products which under normal and proper use and maintenance are proved to be defective to Positech, in its sole discretion, within the warranty period, provided that Positech has had the opportunity to inspect them.

This warranty is not transferable and only applies to the first consumer purchase through an authorized Positech dealer.

This warranty does not cover products or parts thereof which (i) normally wear out due to the general wear and tear of standard use, (ii) are modified, altered, inadequately stored or kept, or (iii) are not installed, adjusted, used or maintained in accordance with Positech's instructions. In addition to the foregoing, this warranty does not cover punctures, tears, or burns, exposure to moisture, exceeding the weight limit and <acts of nature> (ex. Flood, Earthquake, Tornado, etc.). Any substitutions of supplied hardware also void the warranty.

THE FOREGOING IS POSITECH'S SOLE WARRANTY, ALL OTHER WARRANTIES, EXPRESSED OR IMPLIED, INCLUDING WARRANTIES OF FITNESS FOR PURPOSE AND MERCHANTABILITY, ARE EXCLUDED AND DISCLAIMED TO THE FULL EXTENT PERMITTED BY LAW. IN NO EVENT SHALL THE DEALER BE ENTITLED TO MORE THAN THE PRICE OF THE PURCHASED PRODUCTS AT THAT TIME AS FINAL PENALTY AND DAMAGE. IN NO EVENT, WHETHER AS A RESULT OF CONTRACT, TORT, STRICT LIABILITY OR OTHERWISE, SHALL POSITECH BE LIABLE FOR SPECIAL, INCIDENTAL, CONSEQUENTIAL OR PUNITIVE DAMAGES, INCLUDING BUT NOT LIMITED TO, LOSS OF USE, PROFIT OR REVENUE.

The Dealer understands and agrees that the Positech's products may be dangerous and result in injury, worsening of the condition or damage to property if not used properly. Consequently, the Dealer shall inform the user that he/she must (i) comply with all specifications, instructions and other requirements provided by Positech with the products, on Positech's website, in manuals, data sheets, on labels or packaging, and the terms & conditions uniting parties before making use of the products, and (ii) use the products under the supervision of a therapist in the case of severe deformities or when used for therapeutic purposes.

The Dealer shall hold harmless, indemnify and defend Positech from and against any and all claims, demands, causes of action, suits or judgments (including costs, expenses and reasonable attorney fees incurred in connection therewith) for the injury to any person or for loss of or damage to property arising out of or in connection with the improper use of the products whether or not caused by Dealer's negligence and for any default hereunder.

The Dealer may have additional rights by law which may vary from one jurisdiction to another. Positech does not hereby intend to limit or exclude the rights of the Dealer beyond the limits allowed by law.

This warranty applies in CANADA only.

WARRANTY SERVICE

To obtain service under this warranty, the warranty-eligible Product must be presented to the nearest Positech innovation Inc. authorized dealer. In Canada, warranty service may also be obtained by calling (877)964 3232, Monday through Friday 8h00 to 17h00 Eastern Standard Time. Owner is responsible for all costs associated with returning Product to Positech innovation Inc. for service. Where at its sole discretion Positech innovation Inc. deems Product eligible for warranty repair or replacement, Positech innovation Inc. will pay the shipping and handling associated with returning repaired or replaced Product to Owner. In instances where Positech innovation Inc. deems a returned product ineligible for warranty service, Positech innovation Inc. will, if possible, repair product for a reasonable charge that includes return shipping and handling.

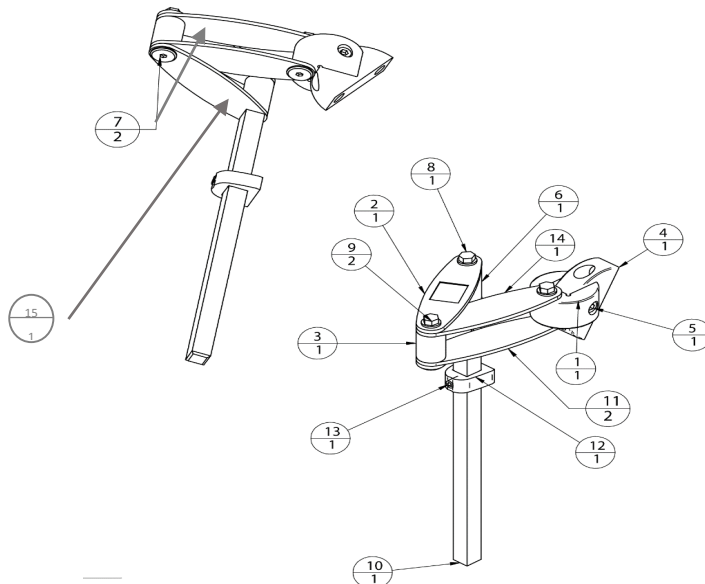
5.0 TOOLS FOR INSTALLATION, ADJUSTEMENT & CARE

- Allen key 1/8 in. 
- Robertson screwdriver 
- Allen key 5/32 in. 
- Measuring tape 
- Allen key 3/16 in. 
- Metal saw 
- Wrench 3/8 in. 

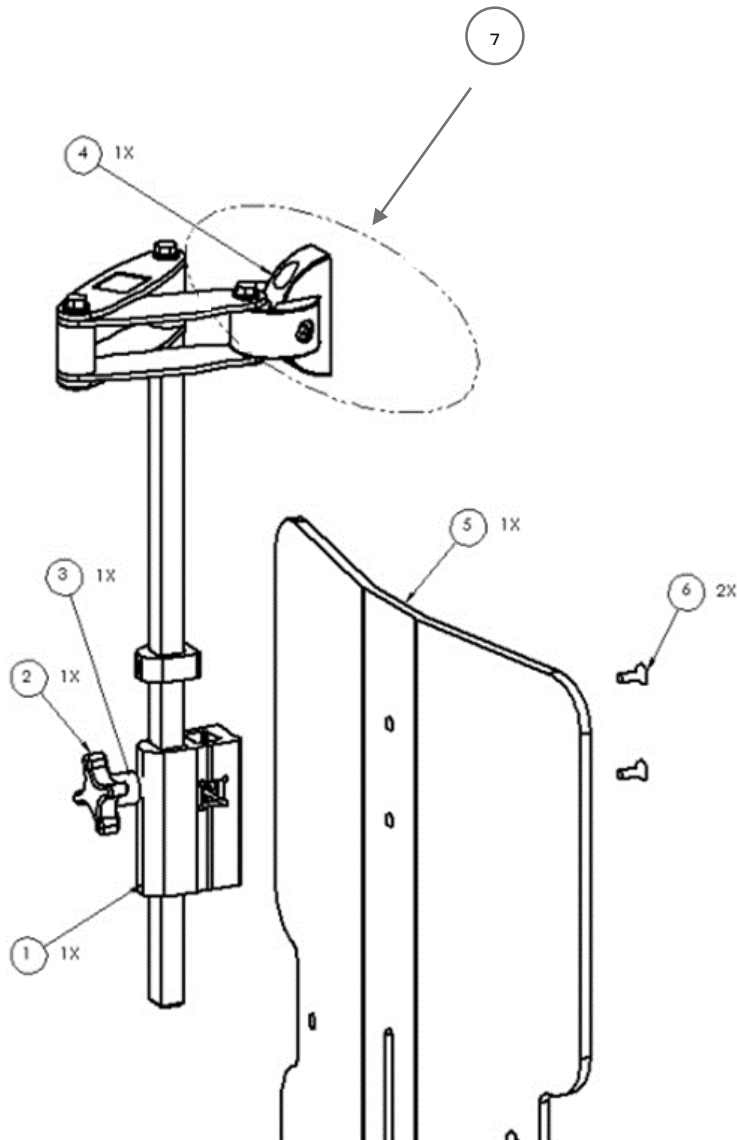
6.0 SUMMUS HEADREST SYSTEM with FLEXUS

6.1 MECHANICAL BASE COMPONENTS 003-001

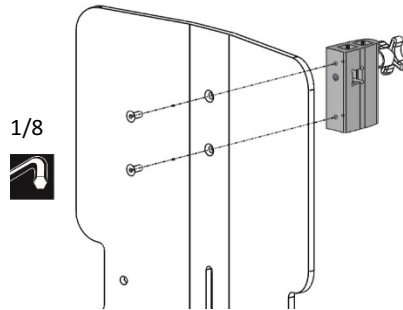
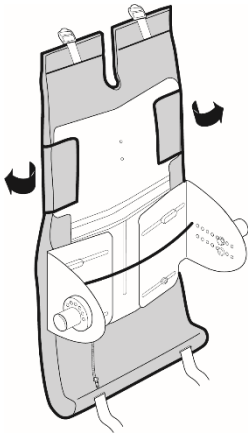
ITEM NO.	PART NUMBER	DESCRIPTION	QTY.
1	003-112	HEADREST SPACER	1
2	003-104	HEADREST PLATE ENGRAVED	1
3	003-108	HEADREST BUSHING	1
4	003-113	HEADREST MOUNTING	1
5		SOCKET HEAD CAP SCREW 1/4-20 X 1-1/4	1
6	003-115	HEADREST BUSHING	1
7		JOINT CONNECTOR NUT	2
8		FLANGE BOLT 1/4-20 X 2	1
9		FLANGE BOLT 1/4-20 X 1 1/4	2
10	003-101	HEADREST STEM	1
11	003-105	HEADREST PLATE BOTTOM	1
12	003-121	HEIGHT LOCK	1
13		SET-SCREW 1/4-20 X 3/8	1
14	003-123	HEADREST PLATE	1
15	003-124	HEADREST PLATE BOTTOM	1



ITEM NO.	PART NUMBER	DESCRIPTION	QTY.
1	003-119	HEADREST SUPPORT	1
2		BOTECO LOCK	1
3	003-122	COSMETIC FOAM 1/4	1
4	003-001	HEADREST MOUNTING SYSTEM	1
5	002-187	UPPER FIXED PLATE - ADULT	1
5	005-122	UPPER FIXED PLATE - CHILD	1
6		FLAT HEAD SCREW 10-32 X 1/2	2
7	SUMMxxxx	HEADREST CUSHION	1



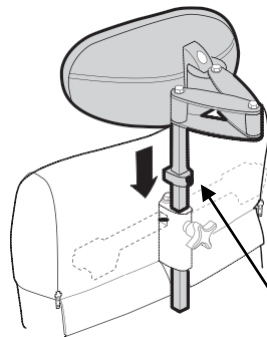
6.2 INSTALLATION AND ADJUSTMENTS



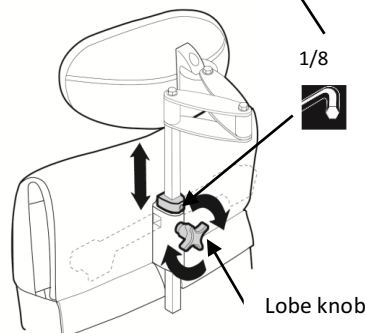
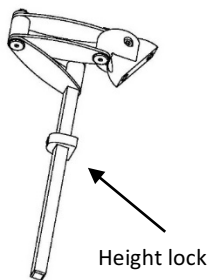
SPECIAL CONSIDERATION :
The user is not to be sitting in the wheelchair during the fixation of the hardware components.

To install the headrest support to the upper fixed plate, you must remove the upper part of the upholstered backrest.

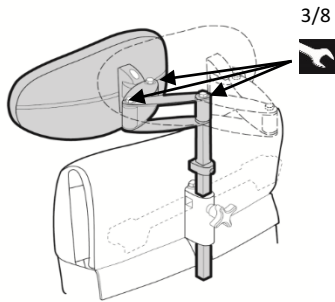
The headrest support is secured with two flat head screws from the INSIDE of the upper fixed plate towards its outside.



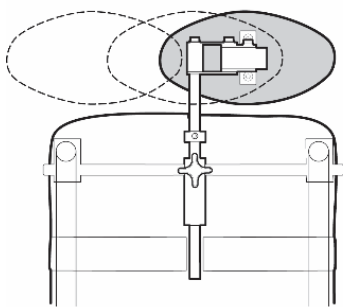
To memorize the desired height, a height lock is secured by tightening its socket set-screw.



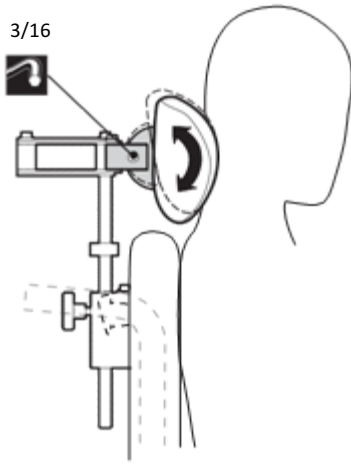
A lobe knob locks the headrest stem to the headrest support.



Slightly loosen the three (3) flange bolts to make multi-directional adjustments: front/back, lateral, rotational.



The flange bolt closest to the headrest cushion provides extra rotation for optimal posture of the head.

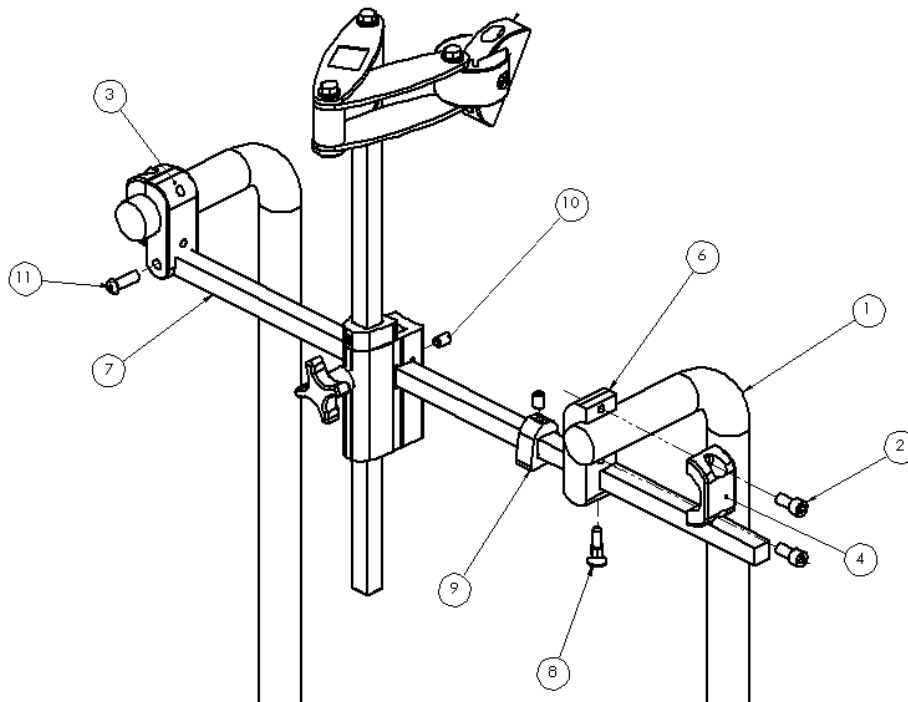


Slightly loosen the slant screw to change the headrest angle.
Tighten all screws and bolts firmly.

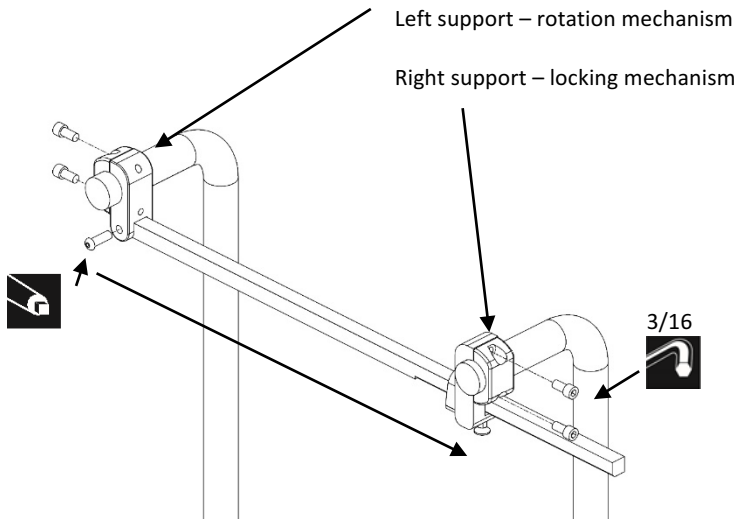
7.0 SUMMUS HEADREST SYSTEM FOR BACKUS & CURVUS

7.1 MECHANICAL BASE COMPONENTS

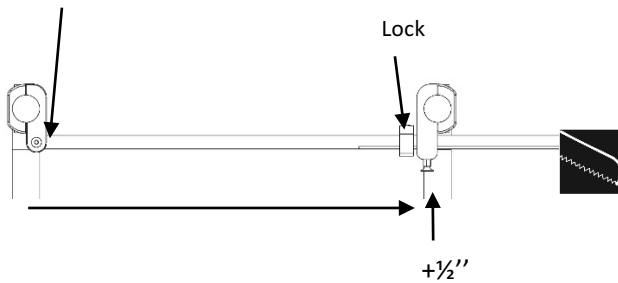
ITEM NO.	PART NUMBER	DESCRIPTION	QTY.
1	REF	WHEELCHAIR CANE HANDLE	2
2		SOCKET HEAD CAP SCREW 1/4-20 X 1	4
3	007-021	LEFT SUPPORT	1
4	006-001	WHEELCHAIR RING	2
6	007-020	RIGHT SUPPORT	1
7	007-022	MOUNTING BAR	1
8		PLUNGER	1
9	003-121	LOCK	1
10		SET SCREW 1/4-20 X 1/4	1
11		CAP SCREW 1/4-20 X 1	1



7.2 INSTALLATION & ADJUSTMENTS



Left extremity
Moderate tightening



Final tightening



90°

Fasten both supports to wheelchair cane handles onto their respective side:

On the LEFT side of the user the rotation mechanism.
On the RIGHT side of the user the locking mechanism.

Ensure that both supports are paralleled to the handles.

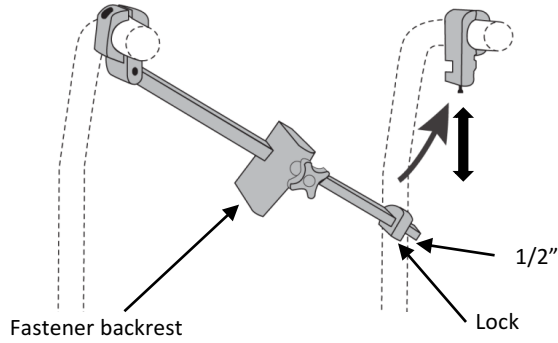
At the LEFT extremity, tighten in moderately the mounting bar with the cap screw to measure the distance to the opposite anchor.

ADD to this measurement 1/2" (1.27 cm).

Cut the RIGHT extremity of the mounting bar which has all the miniatures holes to the desired length.

Secure the one hole extremity of the bar in place by tightening it with a screw.

Validate that the anchor forms a 90 °with the mounting bar.

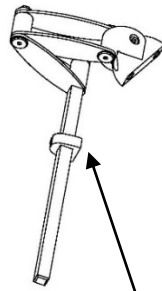


Insert the fastener backrest.

Insert the lock and leave free 1/2" (1.27cm)

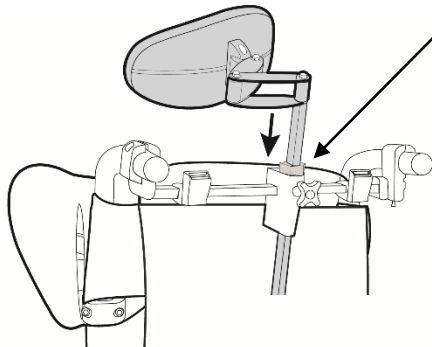
Secure the mounting bar by using the push-pull screw.

Pull the screw down, insert bar, push the screw up into the small hole of the bar to lock it in place.

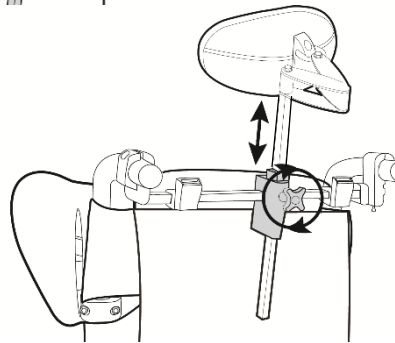


Height lock

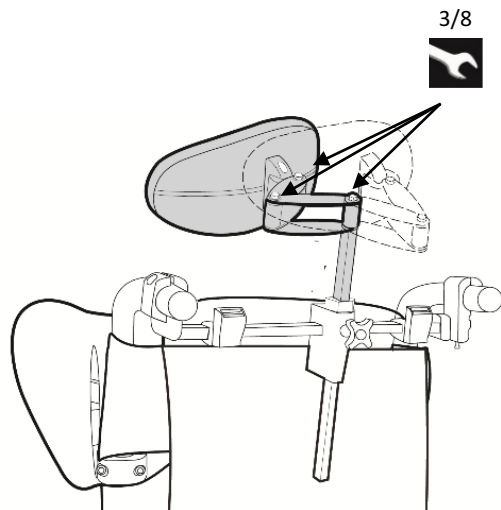
Insert the stem in the headrest support.



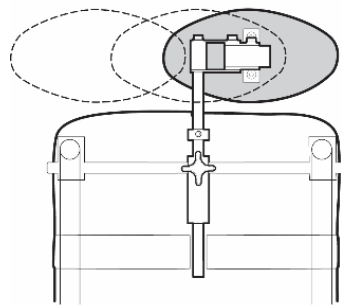
To memorize the desired height, a height lock is secured by tightening its socket set-screw.



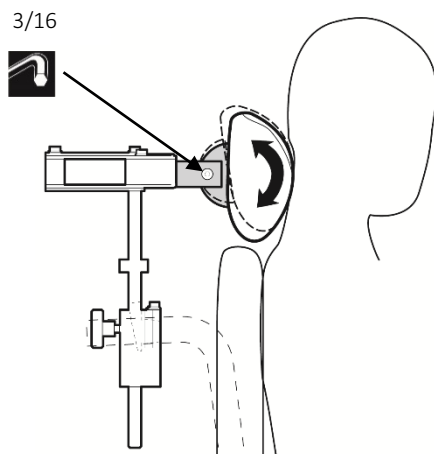
A lobe knob locks the headrest stem to the headrest support.



Slightly loosen the flange bolts to make multi-directional adjustments: front/back, lateral, rotational.



The flange bolt closest to the headrest cushion provides extra rotation for optimal posture of the head.



Slightly loosen the slant screw to change the headrest angle.

Tighten screws and bolts firmly.

8.0 CARE AND MAINTENANCE OF THE COVER

SPECIAL CONSIDERATION :

THESE INSTRUCTIONS ARE VALIDE WHEN SUMMUS CUSHIONS ARE USED WITH FLEXUS, BACKUX & CURVUS BACKRESTS

WARNING :

DO NOT IMMERSE SUMMUS.

Unzip the cover and remove gently.

Hand wash in cold water with a mild detergent.

Dry flat.

Ensure that both sides are completely dry.

WARNING :

DO NOT MACHINE DRY.

DO NOT SUN DRY.

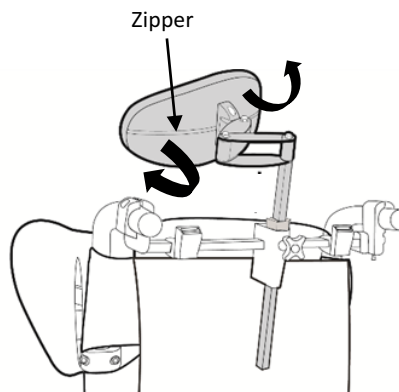
DO NOT STEAM AUTOCLAVE.

DO NOT DRY CLEAN.

DO NOT USE BLEACH.

DO NOT USE FABRIC SOFTENER.

Reassemble when fully dry.





CORPORATE HEADQUARTERS

100-1566 Rue Nationale,
Terrebonne, Québec, Canada,
J6W 0E2

TEL: 1 450-964-6262

1 877-964-3232

FAX: 1 450-964-3378

www.positechinnovation.com
commande@positech.ca