

# INSTALLATION & CARE MANUAL



## 1.0 TABLE OF CONTENTS

	<b>Page</b>
<b>1.0 Table of Contents</b>	<b>2</b>
<b>2.0 Important Considerations</b>	<b>3</b>
<b>3.0 User, Clinician &amp; Dealer Satisfaction</b>	<b>4</b>
<b>4.0 Warranty &amp; limitation of Liability</b>	<b>5</b>
<b>5.0 Tools for Installation, Adjustments &amp; Care Manual</b>	<b>6</b>
<b>6.0 Mechanical Structure Components</b>	<b>6-7</b>
<b>7.0 Installation and Adjustments</b>	<b>8-9</b>
<b>8.0 Summary of all configurations for ADULT &amp; CHILD</b>	<b>10</b>
<b>9.0 Width Adjustments</b>	<b>11</b>
<b>10.0 Height Adjustments</b>	<b>12</b>
<b>11.0 Depth Adjustments ( Recessing Fitting )</b>	<b>13</b>
<b>12.0 Angle Adjustments ( Slant )</b>	<b>14</b>
<b>13.0 Closure of the Upholstered Backrest Cushion</b>	<b>15</b>
<b>14.0 Care and Maintenance</b>	
<b>14.1 Removal of Upholstered Backrest</b>	<b>16</b>
<b>14.2 Upholstered Cover Care Instructions</b>	<b>17</b>
<b>14.3 Installation of Upholstered Backrest</b>	<b>18</b>



## 2.0 IMPORTANT CONSIDERATIONS



Positech innovation Inc. accepts no liability for personal injury or damage to property that may arise from the failure to follow the recommendations, warnings, and instructions in this **Installation & Care Manual**.



### DEALERS / CLINICIAN :

The respective product **User Manual** must be given to the consumer of any of Positech innovation Inc. products.

Before discharging the user with this product, review the entire **User Manual** with the user/caregiver. The **User Manual** must be saved by the user for future reference as it contains additional safety information related to the safe operation of all our products.

All persons responsible for fitting, adjustment, and daily use of the devices discussed in the **Instruction & Care Manual** must be familiar with and understand all safety aspects of the devices mentioned. In order for our products to be used successfully, you, Dealer & Clinician, must :

- Read and understand all instructions and warnings. If you are unable to understand these guidelines, contact Positech innovation Inc. for further instructions.
- Maintain our products according to our instructions on care and maintenance.
- Devices should be installed and adjusted **ONLY** by a trained qualified technician or clinician.
- Failure to adhere to instructions and warnings in this document may result in property damage, injury, or death.
- Product misuse due to failure of the following instructions will void the warranty.

Inform the User :

- To **NEVER** modify the set adjustments make by you, Dealer & Clinician.
- To immediately discontinue use if any function is compromised, parts are missing, loose, or shows signs of excessive wear.

Consult with Positech innovation Inc. for repair, adjustment, or replacement.

A faulty usage of this product could worsen the user's condition instead of improving it.

Usage of this product for therapeutic purposes such as posture correction and support must be conducted in collaboration with a trained clinician.



### DEALER/CLINICIAN :

Check all parts for shipping damages before using. In case of damage, do **NOT** use the equipment. Contact Positech innovation Inc. for further instructions.

Monthly verifications are necessary to ensure that :

- Components are fastened securely.
- Adjustments remain adapted to the patient's condition evolution.
- Under the supervision of the clinician, further adjustments may be necessary in the event of a weight gain or loss, or an improvement or a worsening of the posture.



This **Installation & Care Manual** is compiled from the latest specifications and product information available at the time of publication. We reserve the right to make changes as they become necessary. Any changes to our products may cause slight variations between the illustrations and explanations in this manual and the product you have purchased. Information contained within this document is subject to change without notice.



You can download additional copies of this **Installation & Care Manual & User Manual** on the Positech innovation Inc. website.

**FLEXUS, BACKUS, STOPUS, AXILUS & SUMMUS** comply to :

- **RESNA WC-4:2012 Section 20 : Seating Systems for Use in Motor Vehicles.**
- **ISO 16840-4 Wheelchair Seating – PART 4: Seating Systems for Use in Motor Vehicles.**

## 3.0 USER, CLINICIAN & DEALER SATISFACTION

# You sit well with us.

Positech innovation Inc. strives for 100% customer satisfaction.

Your complete satisfaction is important to us.

Please contact us with feedback or suggestions that will enhance the quality and functionality of these products.

We can be reached at :

<b>Mail</b>	<b>100-1566 Rue Nationale, Terrebonne, Québec, Canada, J6W 0E2</b>
<b>Email</b>	<b>commande@positech.ca</b>
<b>Website</b>	<b>www.positechinnovation.com</b>
<b>Phone</b>	<b>(1) 450 964 3232</b>
<b>Toll Free</b>	<b>(1) 877 964 3232</b>
<b>Fax</b>	<b>(1) 450 964 3378</b>
<b>Customer Service Hours</b>	<b>Monday through Friday – 8h00 to 17h00 Eastern Standard Time ( EST )</b>

### FOR YOUR RECORD

<b>INSTALLATION DATE</b>		<b>CLINIC/HEALTHCARE CENTRE/PRACTICE</b>	
<b>USER INFORMATION</b>  <b>NAME:</b>  <b>EMAIL/PHONE:</b>  <b>FILE #:</b>		<b>DEALER STAMP</b>	
		<b>SERIAL NUMBER (if applicable)</b>	

## 4.0 WARRANTY & LIMITATION OF LIABILITY

Metallic components of products purchased from Positech are warranted against defects in workmanship and material for a period of two (2) years from the date of delivery of the product to the first consumer.

Textile components of products purchased from Positech are warranted against defects in workmanship and material for a period of ninety (90) days from the date of delivery of the product to the first consumer.

Non-metallic and non-textile components of products purchased from Positech are warranted against defects in workmanship and material for a period of one (1) year from the date of delivery of the product to the first consumer.

Positech's obligations under this warranty are limited to replacing (transportation costs at the Dealer's expense) or repairing, at its option, any products which under normal and proper use and maintenance are proved to be defective to Positech, in its sole discretion, within the warranty period, provided that Positech has had the opportunity to inspect them.

This warranty is not transferable and only applies to the first consumer purchase through an authorized Positech dealer.

This warranty does not cover products or parts thereof which (i) normally wear out due to the general wear and tear of standard use, (ii) are modified, altered, inadequately stored or kept, or (iii) are not installed, adjusted, used or maintained in accordance with Positech's instructions. In addition to the foregoing, this warranty does not cover punctures, tears, or burns, exposure to moisture, exceeding the weight limit and <acts of nature> ( ex. Flood, Earthquake, Tornado, etc. ). Any substitutions of supplied hardware also void the warranty.

THE FOREGOING IS POSITECH'S SOLE WARRANTY, ALL OTHER WARRANTIES, EXPRESSED OR IMPLIED, INCLUDING WARRANTIES OF FITNESS FOR PURPOSE AND MERCHANTABILITY, ARE EXCLUDED AND DISCLAIMED TO THE FULL EXTENT PERMITTED BY LAW. IN NO EVENT SHALL THE DEALER BE ENTITLED TO MORE THAN THE PRICE OF THE PURCHASED PRODUCTS AT THAT TIME AS FINAL PENALTY AND DAMAGE. IN NO EVENT, WHETHER AS A RESULT OF CONTRACT, TORT, STRICT LIABILITY OR OTHERWISE, SHALL POSITECH BE LIABLE FOR SPECIAL, INCIDENTAL, CONSEQUENTIAL OR PUNITIVE DAMAGES, INCLUDING BUT NOT LIMITED TO, LOSS OF USE, PROFIT OR REVENUE.

The Dealer understands and agrees that the Positech's products may be dangerous and result in injury, worsening of the condition or damage to property if not used properly. Consequently, the Dealer shall inform the user that he/she must (i) comply with all specifications, instructions and other requirements provided by Positech with the products, on Positech's website, in manuals, data sheets, on labels or packaging, and the terms & conditions uniting parties before making use of the products, and (ii) use the products under the supervision of a therapist in the case of severe deformities or when used for therapeutic purposes.

The Dealer shall hold harmless, indemnify and defend Positech from and against any and all claims, demands, causes of action, suits or judgments (including costs, expenses and reasonable attorney fees incurred in connection therewith) for the injury to any person or for loss of or damage to property arising out of or in connection with the improper use of the products whether or not caused by Dealer's negligence and for any default hereunder.








The Dealer may have additional rights by law which may vary from one jurisdiction to another. Positech does not hereby intend to limit or exclude the rights of the Dealer beyond the limits allowed by law.

This warranty applies in CANADA only.

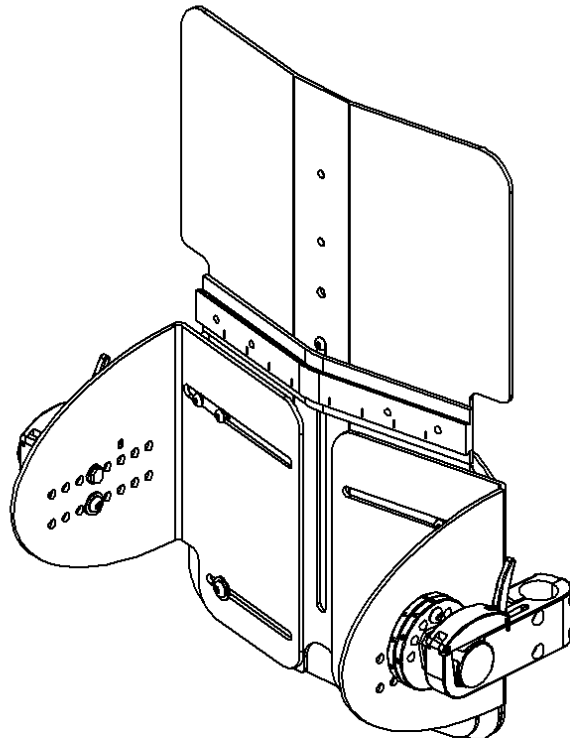
### WARRANTY SERVICE

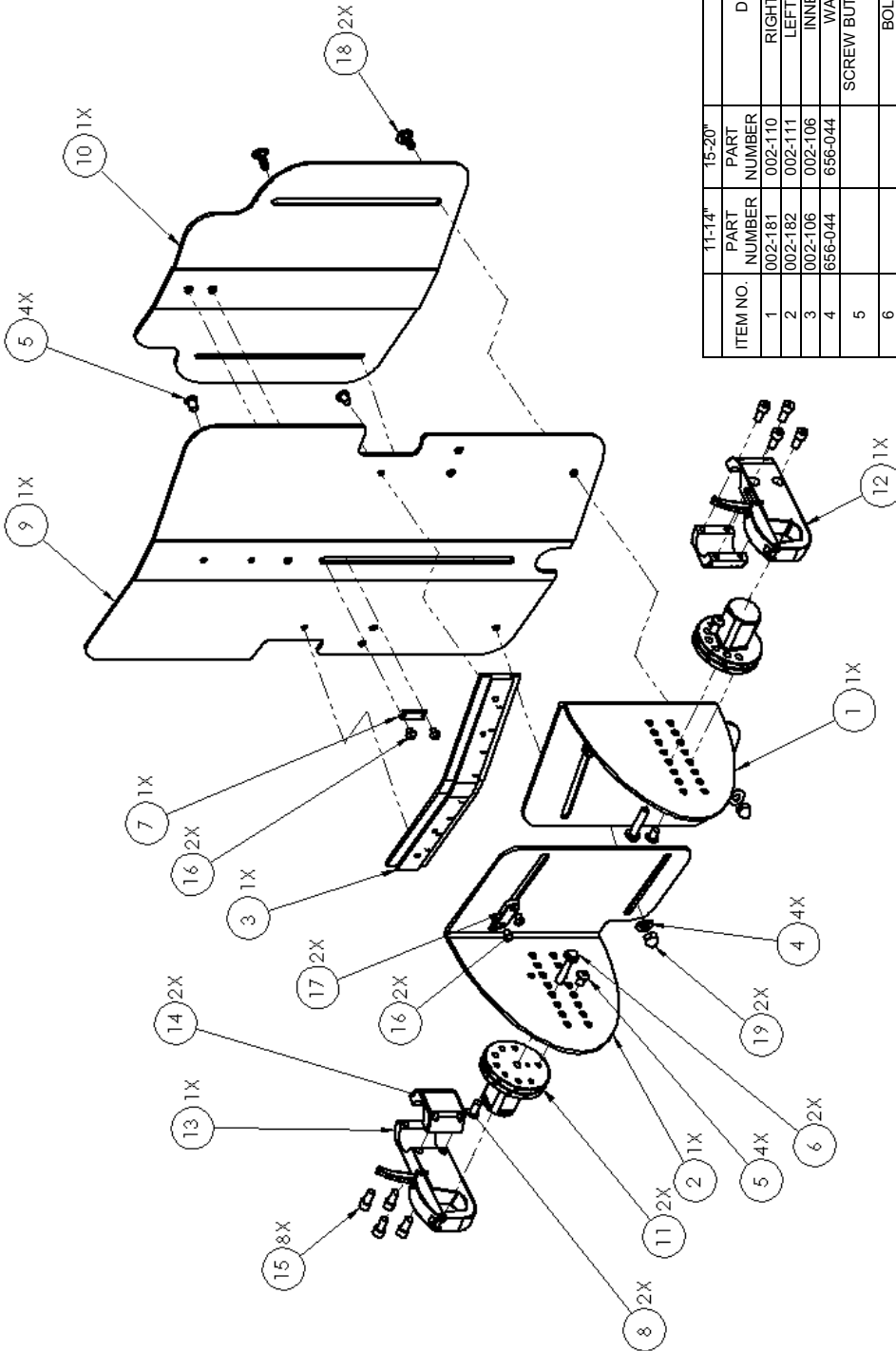
To obtain service under this warranty, the warranty-eligible Product must be presented to the nearest Positech innovation Inc. authorized dealer. In Canada, warranty service may also be obtained by calling (877)964 3232, Monday through Friday 8h00 to 17h00 Eastern Standard Time. Owner is responsible for all costs associated with returning Product to Positech innovation Inc. for service. Where at its sole discretion Positech innovation Inc. deems Product eligible for warranty repair or replacement, Positech innovation Inc. will pay the shipping and handling associated with returning repaired or replaced Product to Owner. In instances where Positech innovation Inc. deems a returned product ineligible for warranty service, Positech innovation Inc. will, if possible, repair product for a reasonable charge that includes return shipping and handling.

## 5.0 TOOLS FOR INSTALLATION, ADJUSTMENT AND CARE

- Allen key 1/8 in. 
- Allen key 5/32 in. 
- Allen key 3/16 in. 
- Wrench 3/8 in. 
- Wrench 7/16 in. 
- Robertson screwdriver 
- Measuring tape 

## 6.0 MECHANICAL STRUCTURE COMPONENTS



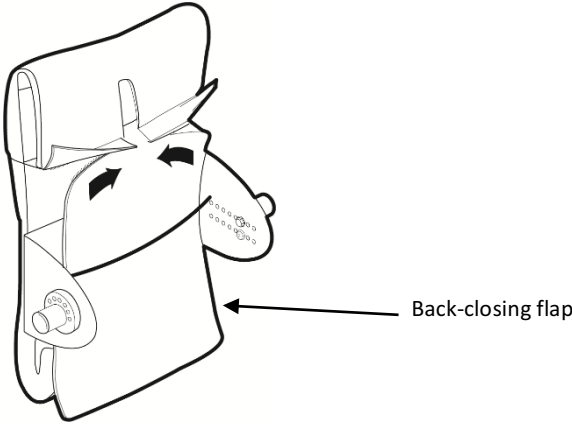


ITEM NO.	11-14"	15-20"	PART NUMBER	DESCRIPTION	QTY.
1			002-181	RIGHT SIDE SUPPORT	1
2			002-182	LEFT SIDE SUPPORT	1
3			002-106	INNER EXTRUSION	1
4			656-044	WASHER 1/4 SAE	4
5				SCREW BUTTON HEAD 1/4-20 X 3/8 ALLEN	4
6				BOLT 1/4-20 X 1-1/4	2
7			002-193	SPACER	1
8				SCREW BUTTON HEAD 1/4-20X1/2 ALLEN	2
9			002-187	TOP FIXED PLATE	1
10			002-188	MOBILE LOWER BACKREST	1
11			002-020	BACKREST PIVOT	2
12			002-145	RIGHT CATCH	1
13			002-146	LEFT CATCH	1
14			002-143	LEVER	2
15				CAP SCREW 1/4-20X1/2 G8	8
16				BUTTON HEAD SCREW 10-32 X 1/4	2
17			002-002-180	ALIGNMENT SPACER	2
18				CARRIGE BOLT 1/4-20 X 5/8	2
19				ACORN NUT 1/4-20	2
20				FLAT HEAD ALLEN 10-32 X 1/2	4

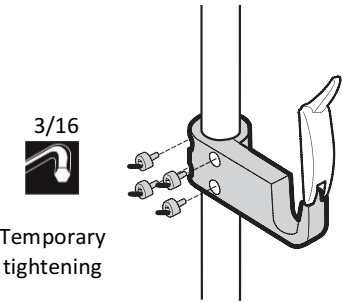
# 7.0 INSTALLATION AND ADJUSTMENTS



While accomplishing the following tasks, the patient should not be sitting on the wheelchair




In order to facilitate the access of the backrest hardware, unzip the 2 small zippers and remove the back-closing flap.



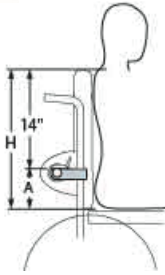
Determine the height at which the ring and latch will be positioned on the wheelchair frame.

**See the box below.**

Install the anchor temporary by tightening the screws slightly.



### Anchor Height



**Backrest**

Determine the anchor height (H) by measuring the distance between the top of the user's shoulder and the top of the seat cushion.

H  Desired backrest height

-14" Subtract 14 in

---

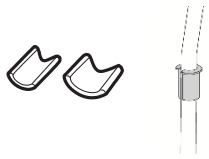
A  Anchor height

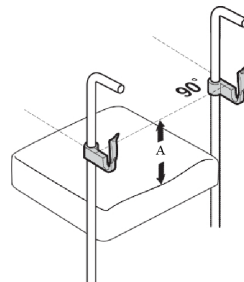
**Anchors**

Subtract 14 in. to determine the distance between the top of the seat cushion and the top of the anchors (A).

**\*For child subtract 11 in.**

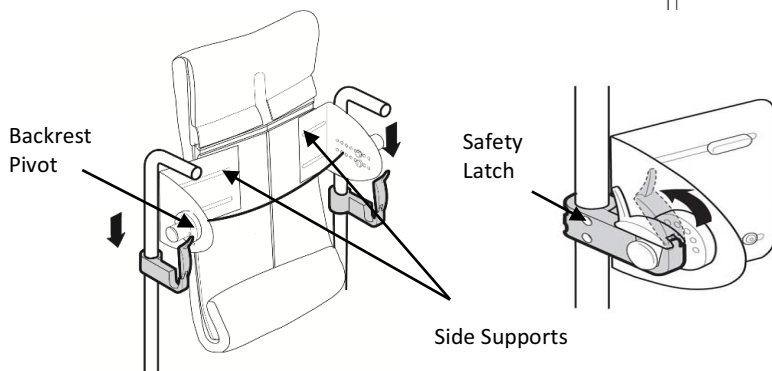


<b>NOTE :</b>		<p><b>SPACERS INCLUDED FOR FRAME TUBES WITH A DIAMETER SMALLER THAN 1 in.</b>  <b>BLACK : FOR 3/4 in. TUBE DIAMETER.</b>  <b>TRANSPARENT: FOR 7/8 in. TUBE DIAMETER</b>  <b>SPECIAL ORDER 1 1/8 in. TUBE DIAMETER</b></p>
---------------	---	---



Attach both safety latches at the SAME height and at a 90-degree angle with the backrest.

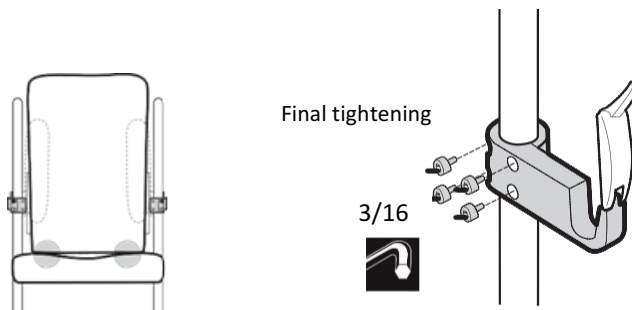
*Trick : Align the latch in parallel with the cane handle.*



Insert the backrest pivots in the anchors.

Lock the safety latches, ensuring that the catch and lever are well fastened.

If needed, to fine-tune the width of the backrest and facilitate the insertion of the pivots, see the instructions in Section – 9 Width Adjustments.



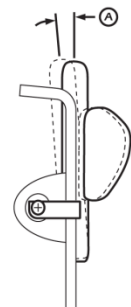
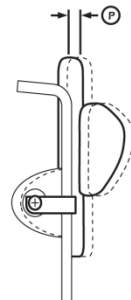
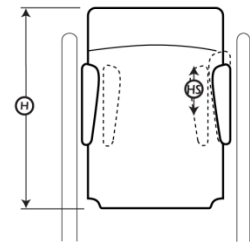
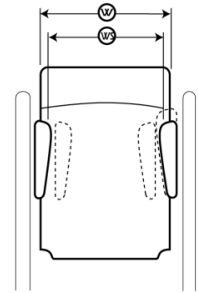
The bottom part of the backrest should touch the surface and the side of the seat cushion slightly.

If needed, re-adjust height of anchors and tighten screws.

<b>NOTE :</b>	<p>IF YOU HAVE DIFFICULTY INSERTING THE PIVOT INTO THE ANCHOR, VALIDATE THAT:</p> <ol style="list-style-type: none"> <li>1. THE LATERAL PLATES ARE PARALLEL TO EACH OTHER</li> <li>2. EACH ANCHOR ARE PARALLEL TO EACH HANDLE</li> <li>3. THE HEIGHTS OF BOTH ANCHORS ARE THE SAME</li> </ol>
---------------	---

## 8.0 SUMMARY OF ALL CONFIGURATIONS for ADULT & CHILD

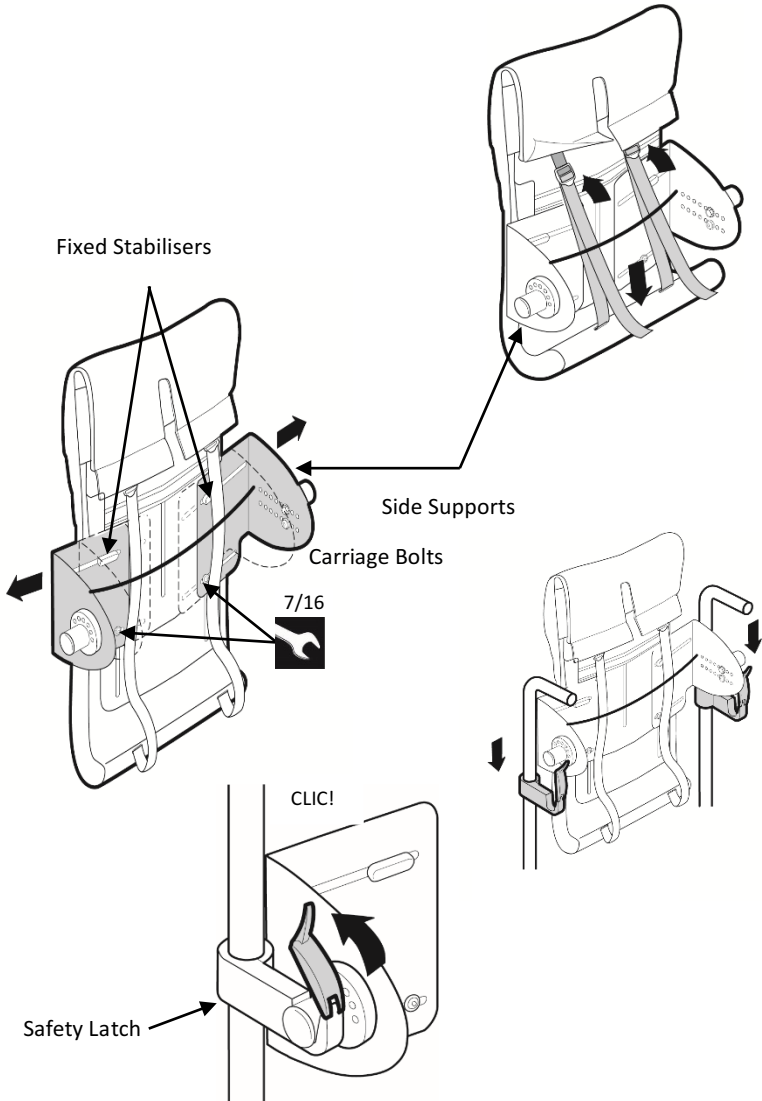
	<b>ADULT</b>	<b>CHILD</b>
<b>W - WIDTH</b> ( wheelchair )	14 – 20 in. 355 – 510 mm	11 – 14 in. 279 – 356 mm
<b>WS - WIDTH</b> (between AXILUS)	9 ½ – 15 ½ in 241 – 395 mm	6 ½ – 11 in. 165 – 279 mm
<b>H - HEIGHT</b> ( backrest )	18 – 26 in. 457 – 660 mm	15 – 18 in. 381 – 457 mm
<b>HS - HEIGHT</b> (variation AXILUS)	(-)4 ½ – (+)4 ½ in. (-)114 – (+)114 mm	*(-)4 ½ – (+)4 ½ in. *(-)114 – (+)114 mm * depending of AXILUS model
<b>P - POSITION</b> (recessing fitting)	from (-)1 ½ to (+)2 in. from (-)38 to (+)51 mm	from (-)2 to (+)1 in. from (-)51 to (+)25 mm
	1.5 1 0,5 0 0,5 1 1,5 2 2 1.5 1 0,5 0 0,5 1 ← Forward   Recessed →	← Forward   Recessed →
<b>A - ANGLE</b> (slant)	(-)15° to (+)15° 5° increments	(-)15° to (+)15° 5° increments



## 9.0 WIDTH ADJUSTMENTS



While accomplishing the following task, the patient ***should not be sitting*** on the wheelchair.



Loosen the (2) straps of the upholstered backrest to access the hardware structure.

Loosen the carriage bolts and adjust the width by sliding horizontally the side supports.

The fixed stabilisers maintain the proper alignment of both side supports. **DO NOT TOUCH.**

Ensure the distance is the same between the side supports and the centre. The side supports must remain parallel.

Insert the backrest pivots in the anchors.


Lock the safety latches, ensuring the catch and lever are well fastened.

<b>NOTE :</b>	<b>IT IS IMPERATIVE THAT THE DISTANCE BETWEEN BOTH SIDE SUPPORTS AND THE CENTRE ARE EQUAL AND PARALLEL.</b>
---------------	---

# 10.0 HEIGHT ADJUSTMENTS



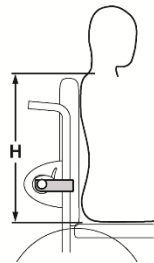
While accomplishing the following task, the patient can be sitting in the wheelchair.



### Alternative Backrest Adjustment Method

#### Backrest Height

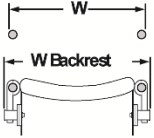
Measure the distance between the top of the seat and the top of the user's shoulder. The total height includes the cover. (H)



H  Backrest height

#### Backrest Width

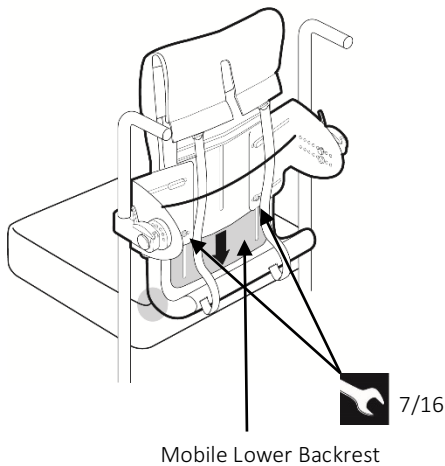
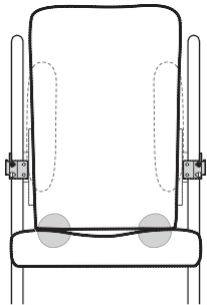
Measure the distance between the outside of the frame tubes (W) and add 1/2 in. to determine the total distance required between the extremities of the backrest pivots.



W  External width of frame tubes  
+1/2" Add 1/2 in.

---

W Backrest  Backrest width



To adjust the height, slightly loosen the screws to allow the movement of the mobile lower backrest.

Extend the mobile lower backrest to get a slight contact between the upholstered backrest and the top of the seat cushion.

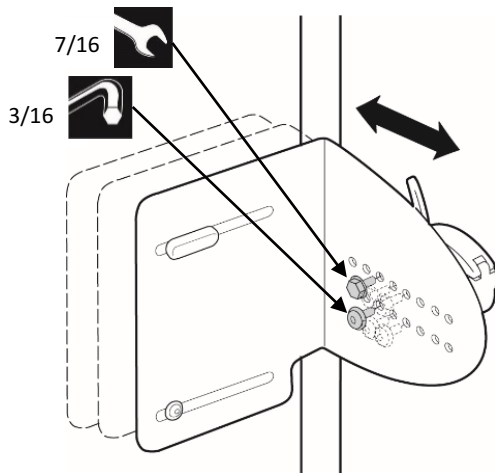
Tighten carriage bolts well.

**NOTE :** THE SAME SCREWS ARE USED TO ADJUST BOTH WIDTH AND HEIGHT.

## 11.0 DEPTH ADJUSTMENTS (Recessing Fitting)



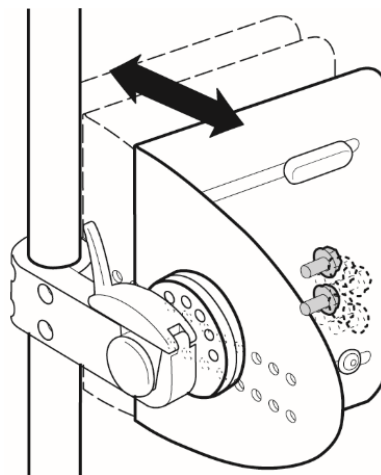
While accomplishing the following task, the patient can be sitting in the wheelchair.



Unscrew the double sets of button head screw & bolt on each side support (2x2) of the wheelchair.

Move forward or backward to adjust to the desired depth.

**SPECIAL CONSIDERATION:**  
The increment is  $\frac{1}{2}$  in. per hole, from (+ 1  $\frac{1}{2}$  in.) to (- 2 in. ).



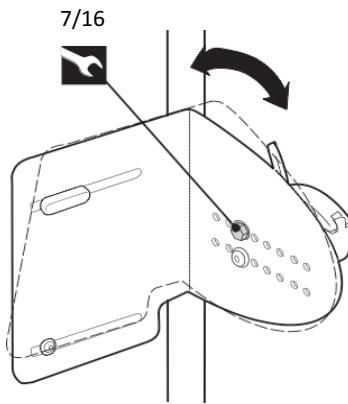
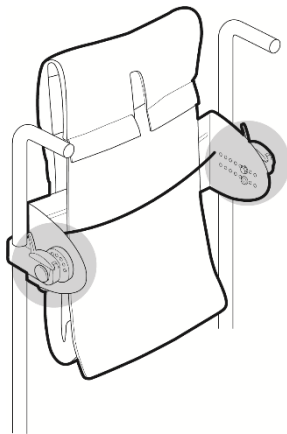
Secure the double sets of button head screw & bolt to the corresponding holes on both sides.

Tighten ALL screws & bolts firmly.

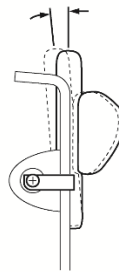
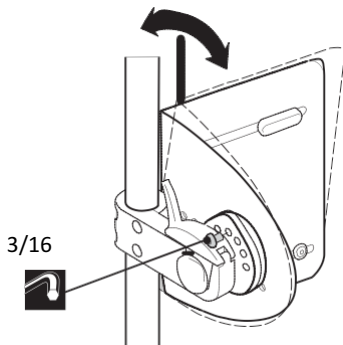
## 12.0 ANGLE ADJUSTMENTS (Slant)



While accomplishing the following task, the patient can be sitting in the wheelchair.



On each side of the wheelchair, slightly loosen the UPPER bolts of the side supports. It will facilitate the movement of the backrest pivot.



Remove completely the perforated dial button head screws on each of the side support.

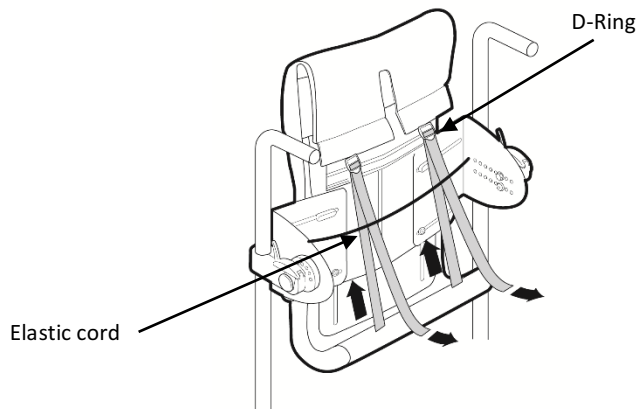
Adjust the backrest pivot to the desired slant.

**SPECIAL CONSIDERATION:**  
There is a 5-degree increment per hole, from (-15°) to (+15°).

On each side, secure tightly the button head screws to the corresponding holes of the pivot.

Tighten ALL screws, bolts and nuts firmly.

## 13.0 CLOSURE OF THE UPHOLSTERED BACKREST CUSHION

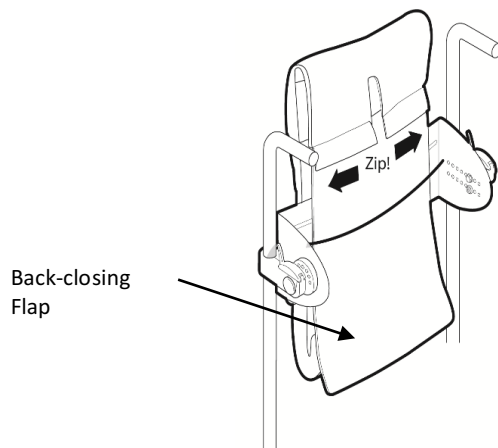


Slide underneath the elastic cord both straps.

Insert both straps into the D-rings and pull.

Firmly tighten in place.

**NOTE :** IF YOU WANT TO INSTALL ACCESSORIES – AXILUS, SUMMUS, STARUS, DO NOT REINSTALL THE BACK-CLOSING FLAP. REFER TO THE RESPECTIVE INSTALLATION & CARE MANUAL TO CONTINUE.



Zip the 2 small zippers of the back-closing flap in place.

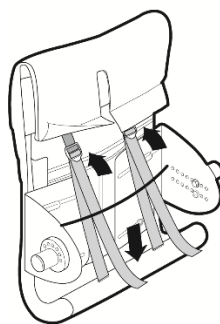
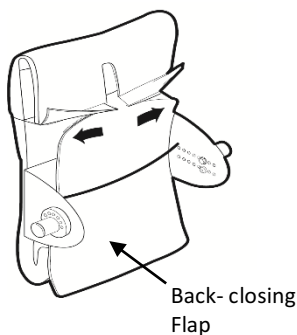
Slide the back-closing flap under the elastic cord.

## 14.0 CARE AND MAINTENANCE

### 14.1 REMOVAL OF UPHOLSTERED BACKREST

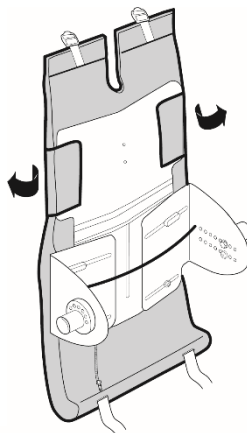
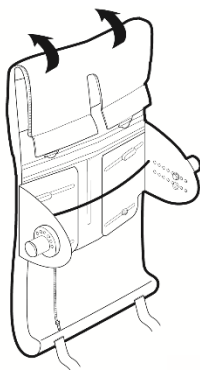


While accomplishing the following task, the patient *should not be sitting* on the wheelchair.



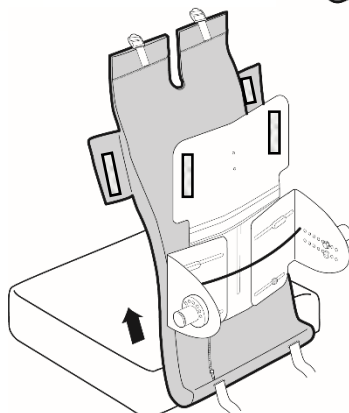
Unzip the 2 small zippers of the back-closing flap.

Untie completely both straps that hold the upholstered backrest in place.



Lift the upper flap to access the lateral fabric flaps located on either side of the backrest top.

Pull on the lateral fabric flaps to free them from the Velcro closure.



Gentle extract from the top of the wheelchair the entire upholstered backrest cushion.



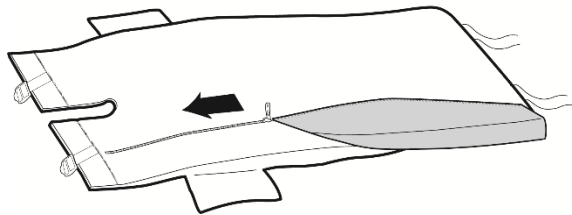
## 14.2 UPHOLSTERED COVER CARE INSTRUCTIONS

**WARNING :**

**DO NOT IMMERSE THE COMPLETE UPHOLSTERED BACKREST.**

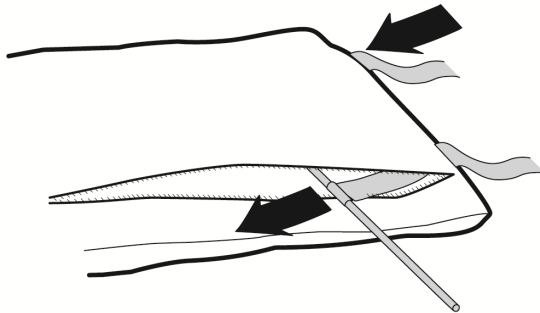
**WARNING :**

**DO NOT MACHINE DRY.  
DO NOT STEAM AUTOCLAVE.  
DO NOT DRY CLEAN.  
DO NOT USE BLEACH.  
DO NOT USE FABRIC SOFTENER.**



Unzip the whole length of the cover.

Remove gently the foam insert.



Remove the metal rod and the straps.

**SPECIAL CONSIDERATION:  
Store foam, metal rod and straps in a SAFE place.**

Hand wash the cover in cold water with a mild detergent.

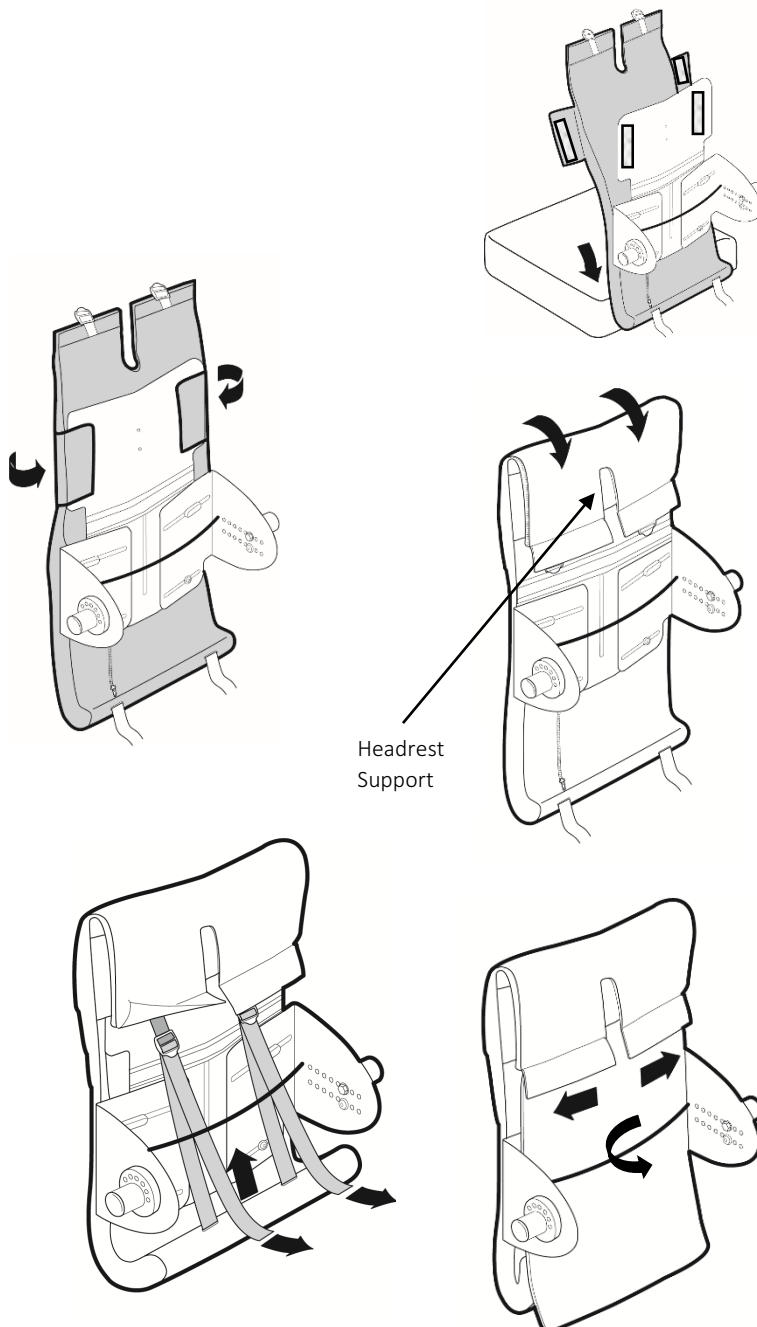
Dry flat.

Ensure that both sides (inside & outside) are completely dry, then reassemble.

### 14.3 INSTALLATION OF UPHOLSTERED BACKREST CUSHION



While accomplishing the following task, the patient ***should not be sitting*** on the wheelchair.



Headrest  
Support

Once the backrest hardware is completed installed, insert the lower part of the upholstered backrest cushion in between the lower edge of the structure and the seat cushion.

Bring the lateral flaps onto the Velcro patches of the structure and secure.

Align the upper flap opening with the headrest fastener location.

Slip end of straps under the elastic cord and insert in their respective D-ring.

Tighten the straps.

Zip the 2 small zippers of the back-closing flap into place and slide under the elastic cord.



CORPORATE HEADQUARTERS

100-1566 Rue Nationale,  
Terrebonne, Québec, Canada,  
J6W 0E2

TEL: 1 450-964-6262

1 877-964-3232

FAX: 1 450-964-3378

[www.positechinnovation.com](http://www.positechinnovation.com)  
[commande@positech.ca](mailto:commande@positech.ca)